

Adapters Model Numbering System



Aimtec Adapter Wattage Case Plug Plug Output Output Application Internal
 Type Type Appearance Voltage Current Codes

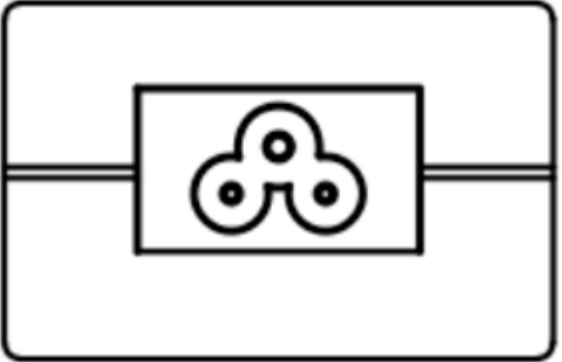
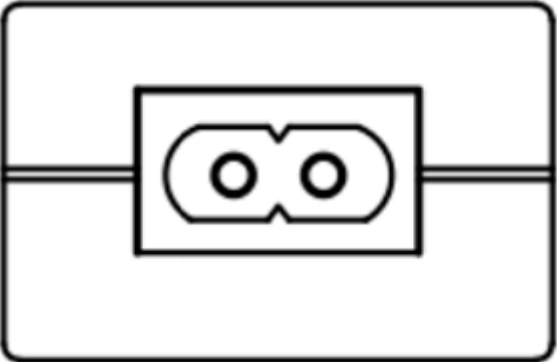
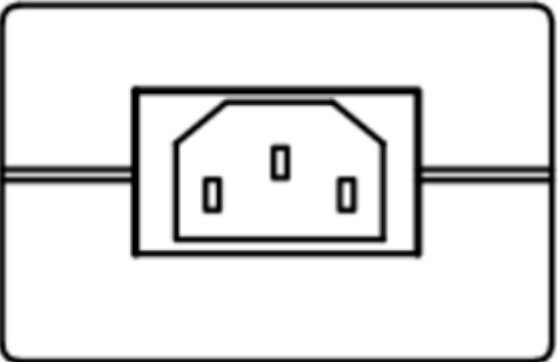
Symbol	Definition	Range
x	P output	5, 12, 18, 24, 36, 40, 65, 90, 100, 120, 200 Watt
y	Case Type	A - Wall Mount Australia Region B - Wall Mount UK Region C - Wall Mount China Region E - Wall Mount EU Region U - Wall Mount US,Japan Region D - Desktop DA - Desktop C6 connector DB - Desktop C8 connector DC - Desktop C14 connector
t	Plug Type	R1 - Standard (O.D. - 3.5mm, I.D. - 1.35mm, Length - 9.5mm) R2 - Standard (O.D. - 3.8mm, I.D. - 1.05mm, Length - 9.5mm) R3 - Standard (O.D. - 3.8mm, I.D. - 1.35mm, Length - 9.5mm) R4 or B4 - Standard (O.D. - 5.5mm, I.D. - 2.1mm, Length - 9.5mm) R5 or B5 - Standard (O.D. - 5.5mm, I.D. - 2.5mm, Length - 9.5mm) R6 or B6 - Standard (O.D. - 5.5mm, I.D. - 2.1mm, Length - 11.0mm) R7 or B7 - Standard (O.D. - 5.5mm, I.D. - 2.5mm, Length - 11.0mm) K1 - Locking (O.D. - 5.5mm, I.D. - 2.1mm, Length - 9.5mm) K2 - Locking (O.D. - 5.5mm, I.D. - 2.5mm, Length - 9.5mm) K3 - Locking (O.D. - 5.53mm, I.D. - 2.03mm, Length - 12.06mm) K4 - Locking (O.D. - 5.53mm, I.D. - 2.54mm, Length - 12.06mm) K5 - Locking (O.D. - 5.53mm, I.D. - 2.03mm, Length - 9.52mm) K6 - Locking (O.D. - 5.53mm, I.D. - 2.54mm, Length - 9.52mm) C1 - Center Pin (O.D. - 5.5mm, I.D. - 3.4mm, Length - 11.0mm)

		<p>C2 - Center Pin (O.D. - 6.5mm, I.D. - 4.4mm, Length - 11.0mm) C3 - Center Pin (O.D. - 7.4mm, I.D. - 5.1mm, Length - 11.0mm) D1 - DIN4 Connector M1 - Min Pin (O.D. - 2.35mm, I.D. - 0.7mm, Length - 11.0mm) M2 - Min Pin (O.D. - 4.0mm, I.D. - 1.7mm, Length - 11.0mm) M3 - Min Pin (O.D. - 4.75mm, I.D. - 1.7mm, Length - 11.0mm) 3M - 3 Pin with Lock (male), Max 7.5A 4M - 4 Pin with Lock (male), Max 7.5A 5M - 5 Pin without Lock (male), Max 7.5 4F - 4 Pin with Lock (female) U1 - Micro USB U2 - USB type C * U3 - USB type A female port embedded in the adapter body (no external wires) U4 - Mini USB U5 - USB type C female port embedded in the adapter body (no external wires) * WI - Wire with Stripped Ends</p>			
p	Plug Appearance	Omitted - Straight	L - Angle plug		
*	Output Voltage	033 - 3.3VDC 050 - 5VDC	120 - 12VDC 150 - 15VDC	190 - 19VDC 240 - 24VDC	540 - 54VDC
#	Output Current	022 - 2.22A 033 - 3.34A 037 - 3.75A 047 - 4.74A 050 - 0.5A 054 - 5.4A	060 - 0.6A 063 - 6.3A 075 - 7.5A or 0.75A 083 - 8.33A 100 - 10A or 1A 120 - 1.2A	125 - 1.25A 150 - 1.5A 160 - 1.6A 200 - 2A 250 - 2.5A 300 - 3A	330 - 3.3A 342 or 034 - 3.42A 416 - 4.16A 500 or 050 - 5A
β	Application	M - medical	V - Voltage variable		
ω	Internal Codes	GY, J, T, Y			

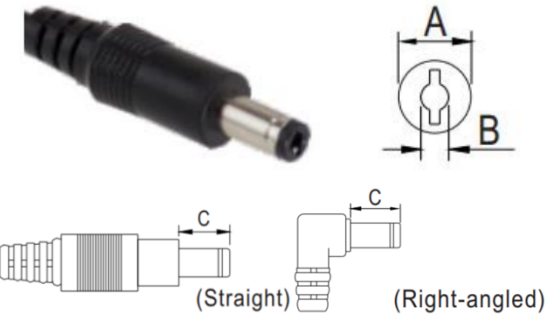
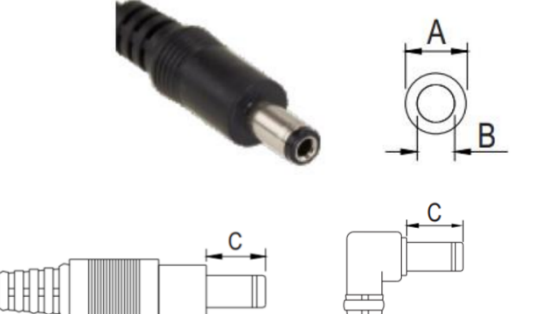
*** NOTE:**

1. The USB type C connector option is only a physical USB type-C connector which does not support PD and programmable power supply (Limited maximum output voltage of 20V, and maximum output current of 5A).

Case Type

Desktop C6 connector	Desktop C8 connector	Desktop C14 connector
		

Plug Type

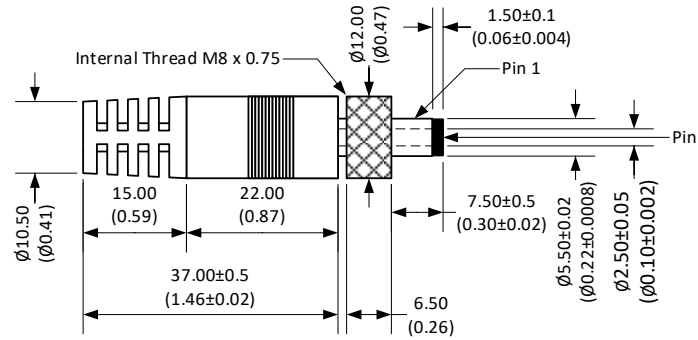
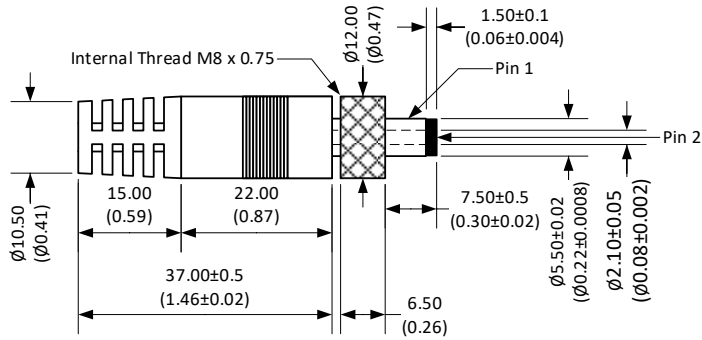
Tuning Fork Style (Straight or Right-angled)	Barrel Style (Straight or Right-angled)																								
																									
<table border="1"> <thead> <tr> <th colspan="4">Type Number and Dimensions (mm)</th> </tr> <tr> <th>Code No.</th> <th>A Outer</th> <th>B Inner</th> <th>C Length</th> </tr> </thead> <tbody> <tr> <td> </td> <td> </td> <td> </td> <td> </td> </tr> </tbody> </table>	Type Number and Dimensions (mm)				Code No.	A Outer	B Inner	C Length					<table border="1"> <thead> <tr> <th colspan="4">Type Number and Dimensions (mm)</th> </tr> <tr> <th>Code No.</th> <th>A Outer</th> <th>B Inner</th> <th>C Length</th> </tr> </thead> <tbody> <tr> <td> </td> <td> </td> <td> </td> <td> </td> </tr> </tbody> </table>	Type Number and Dimensions (mm)				Code No.	A Outer	B Inner	C Length				
Type Number and Dimensions (mm)																									
Code No.	A Outer	B Inner	C Length																						
Type Number and Dimensions (mm)																									
Code No.	A Outer	B Inner	C Length																						

	Diameter	Diameter	
R4	5.5	2.1	9.5
R5	5.5	2.5	9.5
R6	5.5	2.1	11.0
R7	5.5	2.5	11.0

	Diameter	Diameter	
B4	5.5	2.1	9.5
B5	5.5	2.5	9.5
B6	5.5	2.1	11.0
B7	5.5	2.5	11.0

K1 Connector

K2 Connector

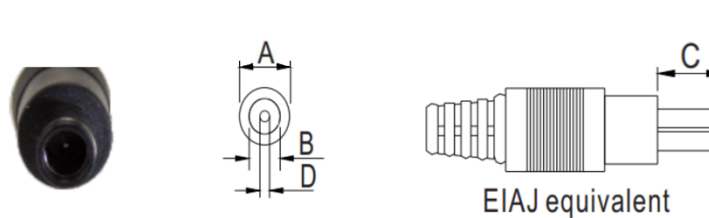
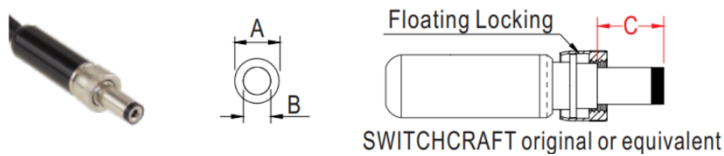


Pin Out Configurations	
Pin No.	Description
1	RTN(-)
2	+Vout

Pin Out Configurations	
Pin No.	Description
1	RTN(-)
2	+Vout

Lock Style

Center Pin Style



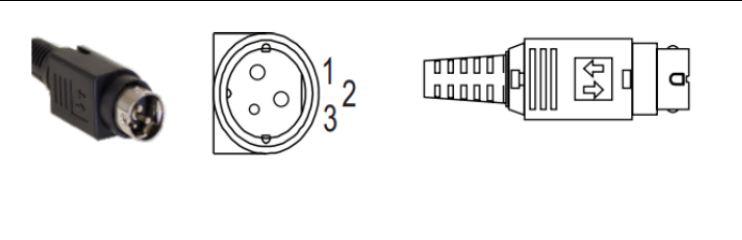
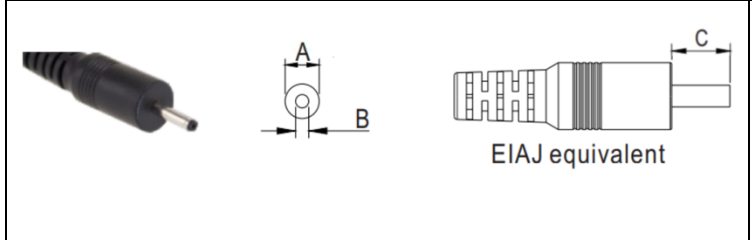
Type Number and Dimensions (mm)			
Code No.	A Outer Diameter	B Inner Diameter	C Length

Type Number and Dimensions (mm)				
Code No.	A Outer Diameter	B Inner Diameter	C Length	D Center Pin

K3	5.53	2.03	12.06	C1	5.5	3.4	11.0	1.0
K4	5.53	2.54	12.06	C2	6.5	4.4	11.0	1.4
K5	5.53	2.03	9.52	C3	7.4	5.1	11.0	0.6
K6	5.53	2.54	9.52					

Min. Pin Style

3 Pin with Lock (male)

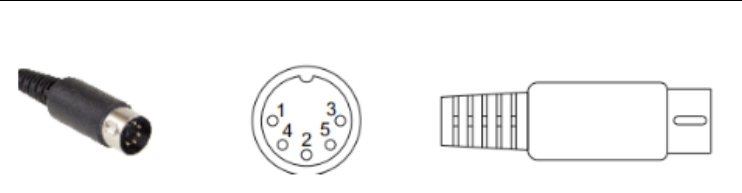
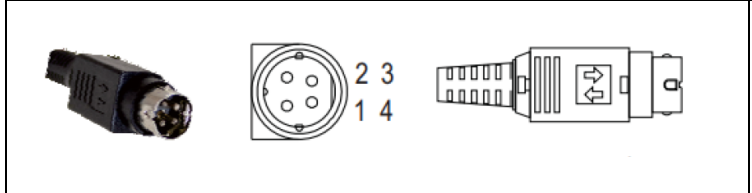


Type No.	A Outer Diameter	B Inner Diameter	C Length
M1	2.35	0.7	11.0
M2	4.0	1.7	11.0
M3	4.75	1.7	11.0

Pin Out Configurations	
Pin No.	Description
1	+Vout
2	-Vout
3	+Vout

4 Pin with Lock (male)

5 Pin (male)



Pin Out Configurations	
Pin No.	Description
1	+Vout
2	-Vout
3	-Vout
4	+Vout

Pin Out Configurations	
Pin No.	Description
1	-Vout
2	-Vout
3	+Vout
4	-Vout
5	+Vout

4 Pin with Lock (female)

Wire with Stripped Ends



Pin Out Configurations

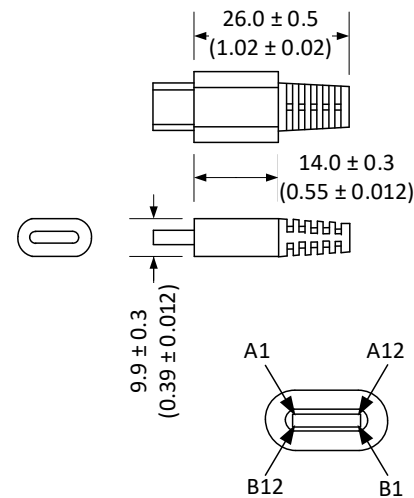
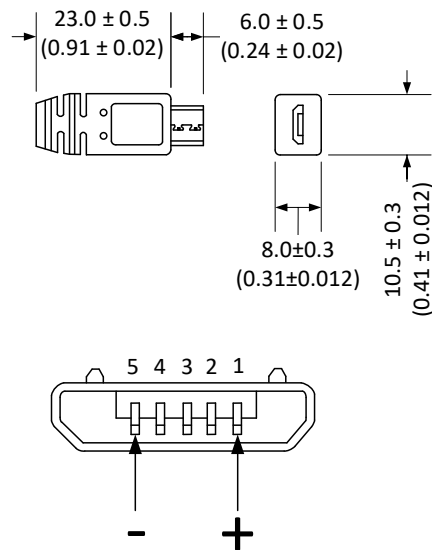
Wire Out Configurations

Pin No.	Description
1	+Vout
2	-Vout
3	-Vout
4	+Vout

Wire No.	Description
1	+Vout
2	-Vout

Micro USB Connector

USB TYPE-C Connector

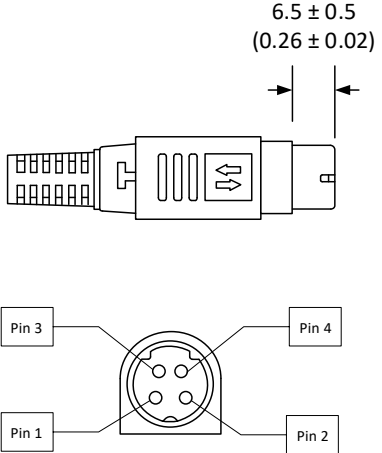


Pin Out Configurations

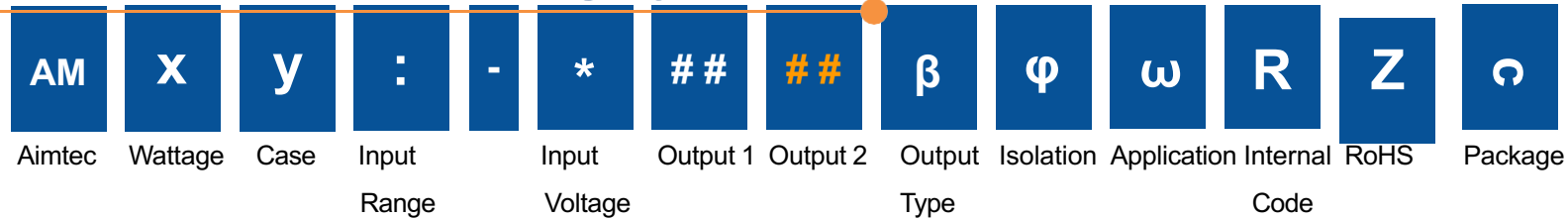
Pin Out Configurations

Pin No.	Description
1	+Vout

Pin No.	Description
A4, A9, B4, B9	+Vout

	2	Omitted		A1, A12, B1, B12	RTN(-)													
	3	Omitted		Others	Omitted													
	4	Omitted																
	5	RTN(-)																
D1 Connector																		
																		
<table border="1" data-bbox="248 847 687 1145"> <thead> <tr> <th colspan="2" data-bbox="248 847 687 895">Pin Out Configurations</th> </tr> <tr> <th data-bbox="248 895 459 946">Pin No.</th> <th data-bbox="459 895 687 946">Description</th> </tr> </thead> <tbody> <tr> <td data-bbox="248 946 459 997">1</td> <td data-bbox="459 946 687 997">+Vout</td> </tr> <tr> <td data-bbox="248 997 459 1048">2</td> <td data-bbox="459 997 687 1048">+Vout</td> </tr> <tr> <td data-bbox="248 1048 459 1099">3</td> <td data-bbox="459 1048 687 1099">RTN(-)</td> </tr> <tr> <td data-bbox="248 1099 459 1145">4</td> <td data-bbox="459 1099 687 1145">RTN(-)</td> </tr> </tbody> </table>			Pin Out Configurations		Pin No.	Description	1	+Vout	2	+Vout	3	RTN(-)	4	RTN(-)				
Pin Out Configurations																		
Pin No.	Description																	
1	+Vout																	
2	+Vout																	
3	RTN(-)																	
4	RTN(-)																	

DC-DC Model Numbering System



Symbol	Definition	Range					
x	P output	1/4, 1/2, 3/4, 1, 1.5, 2, 3, 4, 5, 6, 8, 9, 10, 12, 15, 20, 25, 30, 40, 45, 50, 60, 75, 100, 120, 150, 200, 250, 350 Watt					
y	Case Type	A - SIP6 B - DIP16 C - 1x1 inch D - SIP 7 DR - SIP 7 (regulated) E - 2x1 inches EB - 1/8 brick F - SIP 12 G - SIP 8 GW - SIP9	HB - 1/2 brick IW - SIP 10 J - 1.6x1 inches K - 2x1.6 inches L - SMD M - DIP14 N - DIP 24 (input range ±10%) O - Open Frame P - DIP8	PR - SIP 8 (regulated) Q - non-standard QB - 1/4 brick S - SIP 4 SB - 1/16 brick ST - Screw Terminal T - DIP 24 (input range 2:1 or 4:1) U - 2x2 inches W - non-standard for ultrawide input			
:	Input Voltage Range	omitted - ±10% or 2:1 W - 4:1 or 8:1					
**	U input	02 - 2.5VDC 03 - 3 or 3.3VDC 05 - 5VDC 06 - 6 or 6.4VDC	07 - 7 or 7.2VDC 08 - 8.2VDC 09 - 9VDC	12 - 12VDC 15 - 15VDC 18 - 18VDC	24 - 24VDC 36 - 36VDC 48 - 48VDC	72 - 72VDC 75 - 75VDC 110 - 110VDC	
##	U Output	03 - 3.3VDC 05 - 5VDC	09 - 9VDC 12 - 12VDC	15 - 15VDC 18 - 18VDC	24 - 24VDC 28 - 28VDC	48 - 48VDC 54 - 54VDC	

		07 - 7.2VDC		
β	Output Type	# #S – single # #D - dual	# # # #D - dual separated # # # # #T - triple	
φ	Isolation (VDC)	Omitted - 1K, 1.5K or 1.6K H22 - 2.25K H30 - 3K	H35 - 3.5K H40 - 4K H42 - 4.2K	H50 - 5K H52 - 5.2K H60 - 6K
ω	Application	M - medical		
R	Internal Codes	A, F, I, J, N, NST, PN, R, RV, U, V, X, Y, ZK		
Z	Compliance	RoHS		
σ	Package Type	Omitted - Tube	TR - Tape Reel	

Switching Regulators

Model Numbering System

AM	SR	#	y	-	78	##	zz	R	Z
Aimtec	Switching Regulator	Max Output Current	Case Type		Linear Regulator Equivalent	Output	Pin Angle	Internal Code	RoHS

Symbol	Definition	Range
#	Max Output Current	Omitted : 500mA, 1 = 1A, 1.5 = 1.5A, 2 = 2A, 3 = 3A, 6 = 6A, 10 = 10A, 16 = 16A
I	Integrated Thermal Shutdown	
U	Ultra wide input	Up to 90VDC
y	Case Type	Omitted – SIP3 D – DQFN L – SMD O – Open Frame W – Wired Connections B – internal code
##	U Output	0.75, 1.2, 1.5, 1.8, 2.5, 3, 3.3, 4, 5, 5.5, 6.5, 7, 7.2, 9, 10, 12, 13, 15, 24 V
zz	Pin Angle	Omitted – straight L – curved at 90°
R	Internal Code	J, N
Z	Compliance	RoHS

AC–DC Model Numbering System

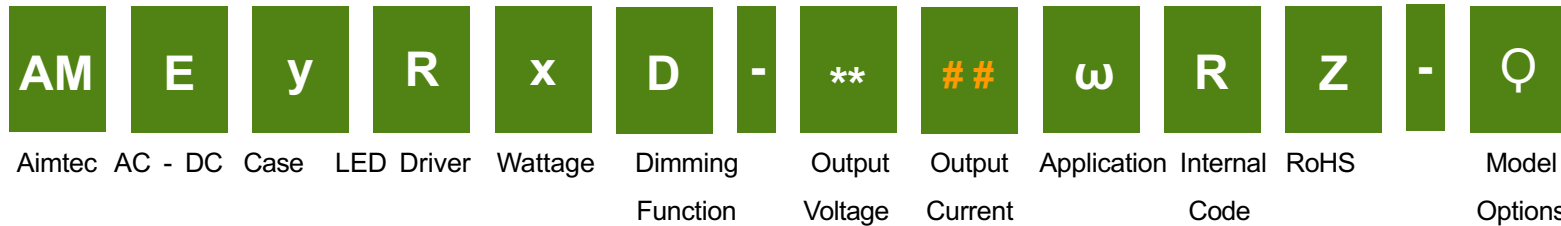


Symbol	Definition	Range
y	Case Type	Omitted – encapsulated C – enclosed with wired connector package D – DIN rail L – Low profile M – 1" x 1" form factor O or OF – Open frame P – Integrated PFC R – Non isolated AC-DC S – Enclosed with screw terminals W – Wired connections
x	P output	1, 2, 3, 4, 5, 6, 7, 8, 9, 10, 15, 20, 25, 30, 35, 40, 45, 50, 54, 60, 65, 70, 75, 80, 90, 100, 150, 200, 240, 300, 350, 400, 450, 500, 550, 600, 650, 750, 960, 1000 Watt
##	U Output	3.3, 5, 9, 12, 15, 24, 36, 42, 48, 54 VDC
β	Output	##S - single ##D - dual ##T - Triple
ω	Application	Omitted – industrial M - medical
R	Internal Codes	A, GY, J, N, V, Y
Z	Compliance	RoHS
PE	PROTECTIVE EARTH pin (Ground)	
B	Ultrawide input	Up to 528VAC
- 480	Rated input value	

C	Commercial operating temperature	From -25°C
	AMEO W 10- S JZ	Wide input Open frame with two isolated outputs
N	AMED480 N -GY	Only with PFC
T	AMED480 T -GY	Triple phase input
W	AMED480 W -GY	Wide two phase input

AC-DC LED Driver

Model Numbering System

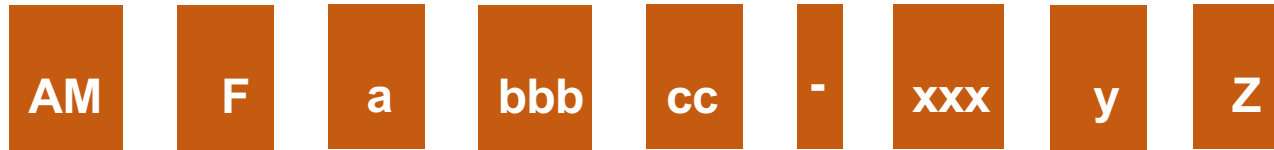


Symbol	Definition	Range
y	Case Type	Omitted – metal P – Plastic O – Open frame
x	Max P Output	5, 8, 10, 12, 15, 20, 25, 30, 35, 40, 50, 60, 70, 80, 84, 90, 100, 120, 130, 150, 160, 170, 240 Watt
D	Dimming Function	N/A or Resistive/Analog 0-10V D – Triac
**	Max U Output Voltage	Two digits, model specific, VDC
##	Nominal Output Current	Two or three digits, model specific, x10 mA
ω	Application	Omitted: 0 to 85°C or -20 to 85°C C: -55 to 85°C
R	Internal Code	A
Z	Compliance	RoHS
Q	Model Options	UD: Universal AC input 90 – 264VAC (no Triac dimming), IP20 UW: Universal AC input 90 – 264VAC (no Triac dimming), IP67 110D: AC input 90 – 135VAC, IP20 110W: AC input 90 – 135VAC, IP67 220D: AC input 180 – 264VAC, IP20 220W: AC input 180 – 264VAC, IP67 F: No dimming option

H	AME H R50-Z	Ultrahigh Input, Up to 385 VAC
N	AMEPR30 N -Z	New, improved version with better IP62
Q	AME Q R50N-Z	Square shape
E	AMER60 E -Z	Additional 12V output
V	AMER60-12 V	12VDC constant voltage output
C	AMER60-12 V C	12VDC constant voltage output, IP68 rated

DC EMC Filter

Model Numbering System

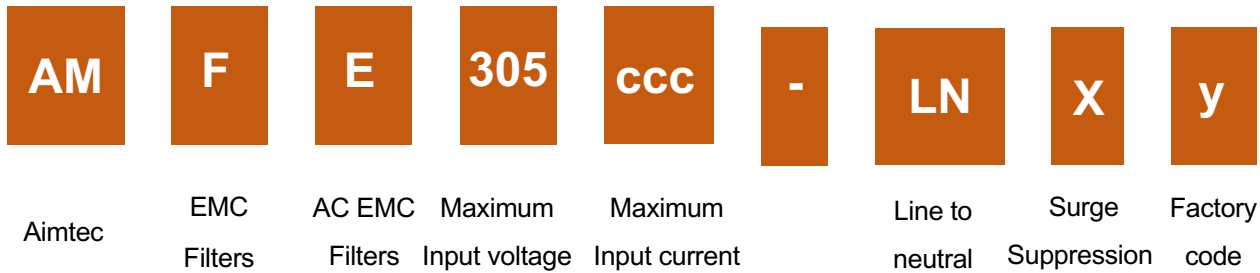


Aimtec EMC Filter Input range Nominal Input voltage Filter/Suppressor Input current Active/Passive filter

Symbol	Definition	Range
F	EMC Filter	
a	Input range	Omitted – 2:1 Input range W = Wide input range
bbb	Nominal Input voltage	
cc	Filter/Suppressor	Omitted – EMC filter FT = EFT suppressor
xxx	Input Current	For active filter: Maximum Input current under nominal voltage For passive filter: Maximum Input current
y	Active/ Passive filter	N = Active filter J = Passive filter

AC EMC filter

Model Numbering System



Symbol	Definition	Range
F	EMC Filter	
E	AC EMC Filter	
305	Max Input voltage	
ccc	Max Input current	03=0.3 A 150=1.5A
LN	Line to neutral	
x	L-N Surge Suppression	1=±1KV 2=±2KV 3=±3KV
y	Factory code	

Common mode choke

Model Numbering System



Aimtec EMC Filter Common mode choke Inductance - Maximum Input current NZ

Symbol	Definition	Range
F	EMC Filter	
C	Common mode choke	
xx	Inductance	When maximum input current $\geq 1A$ 1 = 2x 1000uH 22 = 2x 2200uH 33 = 2x 3300uH 47 = 2x 4700uH 68 = 2x 6800uH 82 = 2x 8200uH When maximum input current $\leq 1A$ 10 = 2x 10000uH 15 = 2x 15000uH 22 = 2x 22000uH
y	Maximum Input current	03 = 0.3A 150 = 1.5A