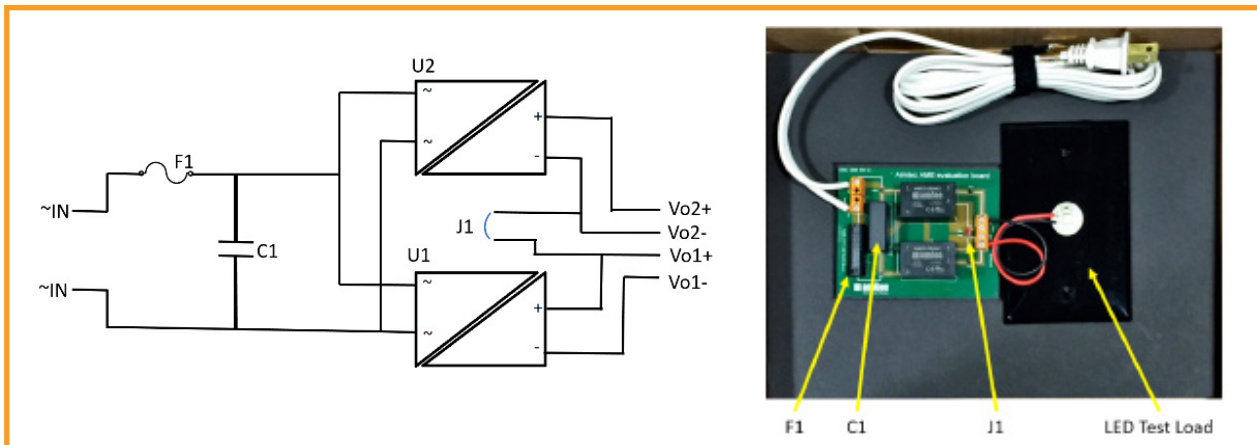


This kit facilitates the evaluation of Aimtec's AME1-AZ, AME2-AZ and AME3-AZ AC-to-DC converters.

## Kit contents

1. AME1-2-3 Evaluation Board
2. LED test load
3. AC power cord



## AME1-2-3 Evaluation Board Components

- C1: field replaceable X1 capacitor, 330 nF, 480 VAC, 22.5 or 27.5 mm pin spacing (VISHAY F339X1 or similar)
- F1: field replaceable slow-blow cartridge fuse, 1 A, 480 VAC, 5x20 mm (Littelfuse 477 or similar)
- J1: 2x0.1" header jumper
- U1, U2: field replaceable AC-DC converters (ships with Aimtec AME3-5SBAZ or AME3-5SAZ)

## LED Test Load

- Rated 9-14 VDC (~60 mA @ 12 VDC; RED= positive; BLK= negative)

## AC power cord

- Field replaceable USA two-prong; rated 125 VAC

## Preparation

1. Disconnect power before handling or making connections or adjustments.
2. The included power cord is rated 125 VAC; substitute accordingly for higher input voltages.
3. Verify that input and output wires are tightly connected to the board.
4. Use of the “LED Test Load” is optional.
5. Verify that F1 is not blown and is locked in its holder.
6. Review the ratings of the pre-populated devices at U1 and U2; select models of AME1-AZ, AME2-AZ or AME3-AZ to meet desired power and voltages; models among these families can be mixed at locations U1 and U2.
7. Verify that C1, U1 and U2 are fully seated on the board.
8. Remove jumper J1 for two separate VDC outputs (Vo1 isolated from Vo2).
9. Install jumper J1 for  $\pm$ VDC bipolar outputs with common reference positive output from U2 and negative output from U1 (+Vo2, 0V, -Vo1).

## Operation

- Complete steps in the “Preparation” section
- Apply power
- Verify output voltages are within range
- Disconnect power when not in use

## Storage

- Tightly wrap the power cord and place it along the hinge side of the box to clear the cushion foam when closing the box

## Shipping

- Shipping carton weight= 2 lb.; size= 16x12x4 in.

## Support

Please contact your local Aimtec representative, call +1 (514) 620-2722 or e-mail [support@aimtec.com](mailto:support@aimtec.com).

## References

<http://www.aimtec.com/site/Aimtec/files/Datasheet/HighResolution/AME1-AZ.pdf>

<http://www.aimtec.com/site/Aimtec/files/Datasheet/HighResolution/AME2-AZ.pdf>

<http://www.aimtec.com/site/Aimtec/files/Datasheet/HighResolution/AME3-AZ.pdf>