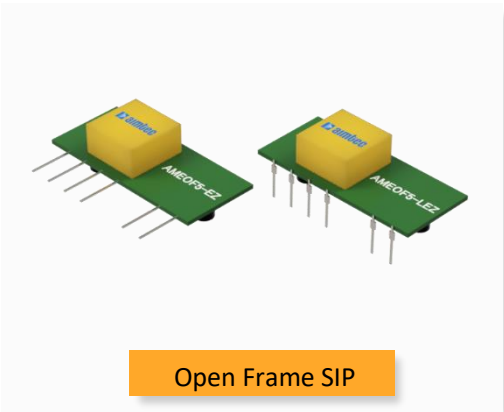


Click to
ORDER
samples

AMEOF5-EZ



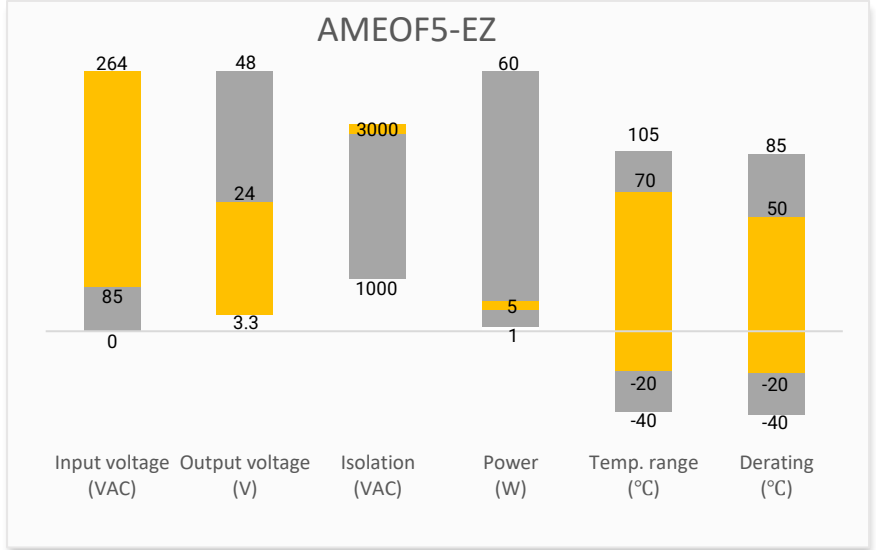
The AMEOF5-EZ is a compact open frame AC/DC converter that offers an input voltage range of 85-264VAC.

Aimtec's AMEOF5-EZ features low power consumption, high efficiency & reliability, and 3000VAC isolation. It is also designed to meet the IEC/UL/EN62368-1 standards, which makes it suitable for many industrial applications such as controls and instrumentation.

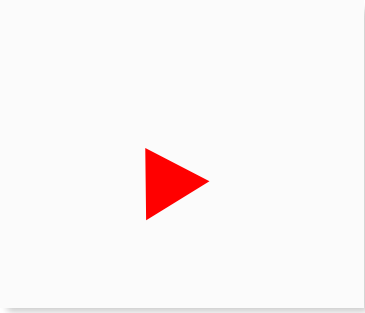
Features

- Input: 85-264VAC, 100-400VDC
- I/O Isolation 3000VAC
- Short circuit protection
- Operating Temp: -20 to +70°C
- Low power consumption $\leq 0.5W$
- Compact open frame SIP
- Over current protection
- Made in Taiwan

Summary



Training



Product Training Video
(click to open)



Press Release

Application Notes

Applications



Industrial



Automation



Test Equipment

Models & Specifications

Single Output Straight Pins

Model	Input Voltage (VAC/Hz)	Input Voltage (VDC)	Full power temperature range (°C)	Output Voltage (V)	Output Current max (mA)	Maximum capacitive Load (μF)	Efficiency (%)
AMEOF5-3SEZ	85-264/47-63	100-400	-20 to +50	3.3	1000	2200	67
AMEOF5-5SEZ	85-264/47-63	100-400	-20 to +50	5	1000	1500	74
AMEOF5-9SEZ	85-264/47-63	100-400	-20 to +50	9	560	680	78
AMEOF5-12SEZ	85-264/47-63	100-400	-20 to +50	12	420	470	79
AMEOF5-15SEZ	85-264/47-63	100-400	-20 to +50	15	340	330	80
AMEOF5-24SEZ	85-264/47-63	100-400	-20 to +50	24	210	100	82

Single Output Bent Pins

Model	Input Voltage (VAC/Hz)	Input Voltage (VDC)	Full power temperature range (°C)	Output Voltage (V)	Output Current max (mA)	Maximum capacitive Load (μF)	Efficiency (%)
AMEOF5-3SLEZ	85-264/47-63	100-400	-20 to +50	3.3	1000	2200	67
AMEOF5-5SLEZ	85-264/47-63	100-400	-20 to +50	5	1000	1500	74
AMEOF5-9SLEZ	85-264/47-63	100-400	-20 to +50	9	560	680	78
AMEOF5-12SLEZ	85-264/47-63	100-400	-20 to +50	12	420	470	79
AMEOF5-15SLEZ	85-264/47-63	100-400	-20 to +50	15	340	330	80
AMEOF5-24SLEZ	85-264/47-63	100-400	-20 to +50	24	210	100	82

Input Specification

Parameters	Conditions	Typical	Maximum	Units
Input current	115VAC		150	mA
	230VAC		100	mA
Inrush current	115VAC	5		A
	230VAC	10		A
Input dissipation	No Load		0.5	W

Output Specification

Parameters	Conditions	Typical	Maximum	Units
Voltage accuracy	3.3V Output	±2	±3	%
	5~24V Output	±1	±2	%
Line regulation	Full load, main input range	±0.1	±0.5	%
Load regulation	5-100% load	±1	±1.5	%
Minimum load		0		A
Ripple & Noise*	3.3~5V Output	50	150	mV p-p
	9~24V Output	80	150	mV p-p

* 20MHz bandwidth with a 0.1uF CC and a 10uF EC

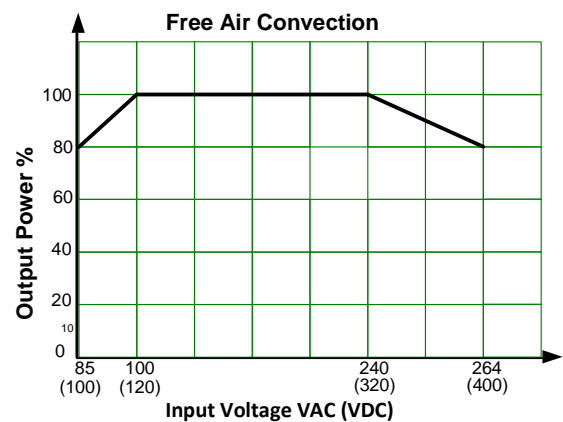
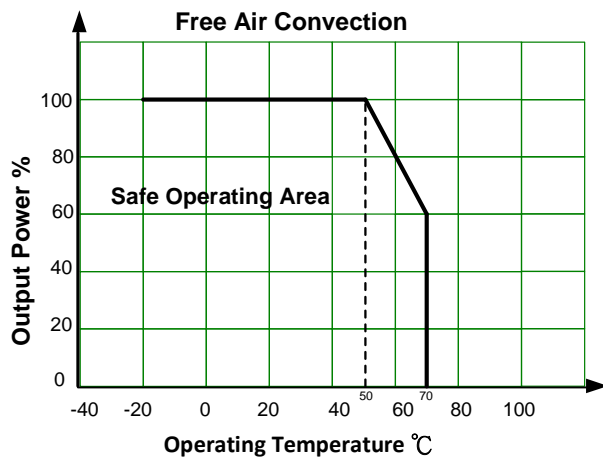
Isolation Specifications				
Parameters	Conditions	Typical	Rated	Units
Tested I/O voltage	5 sec / 5 mA		3000	VAC
Isolation Resistance	500VDC	>100		MΩ

General Specifications				
Parameters	Conditions	Typical	Maximum	Units
Switching frequency		100		KHz
Over current protection	Auto-recovery	>110		% of I out
Short circuit protection	Auto-recovery			
Operating temperature	See derating curve	-20 to +70		°C
Storage temperature		-40 to +105		°C
Cooling	Free air convection			
Humidity			85	% RH
Weight		6.5		g
Dimensions (L x W x H)	1.65 x 0.79 x 0.54 inches 42.0 x 20.0 x 13.65 mm			

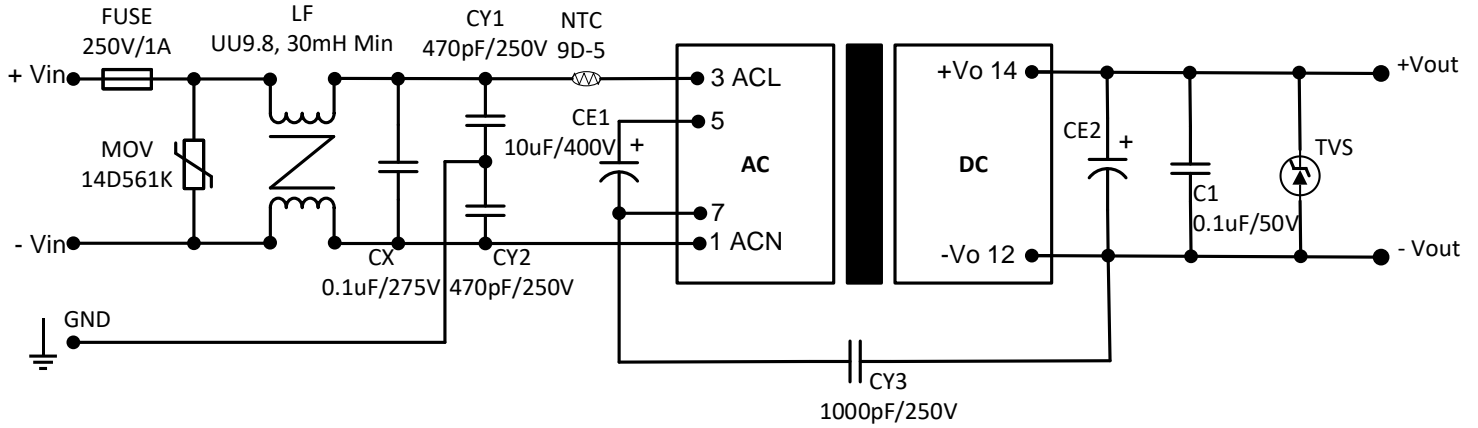
NOTE: All specifications in this datasheet are measured at an ambient temperature of 25°C, humidity<75%, nominal input voltage and at rated output load unless otherwise specified.

Safety Specifications		
Parameters		
Standards	Information technology Equipment	Design to meet UL62368-1, IEC62368-1
	EMC - Conducted and radiated emission	EN55032, CLASS B, See EMC Recommended Circuit
	EMS Immunity	IEC 61000, See EMC Recommended Circuit

Derating

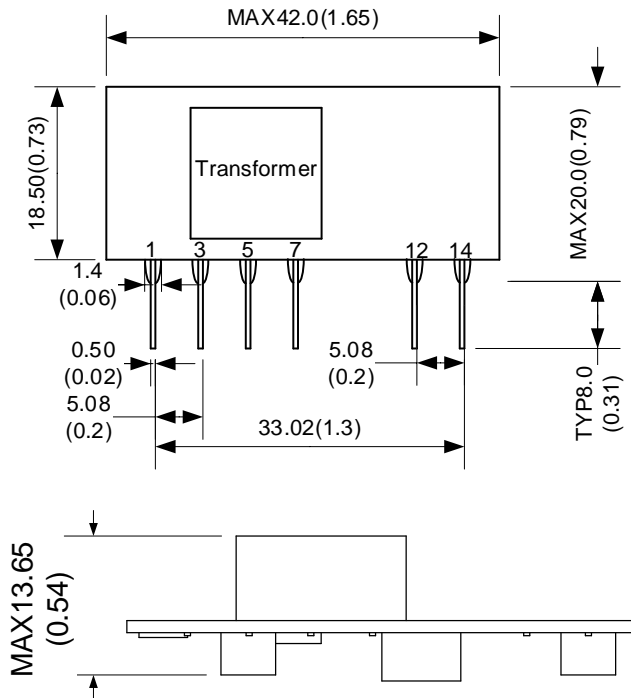


EMC Recommended Circuit



Model	CE2	TVS
3.3 Vout	220uF/35V	SMBJ7.0A
5 Vout	220uF/35V	SMBJ7.0A
9 Vout	220uF/35V	SMBJ12A
12 Vout	150uF/35V	SMBJ20A
15 Vout	150uF/35V	SMBJ20A
24 Vout	150uF/35V	SMBJ30A

Dimensions

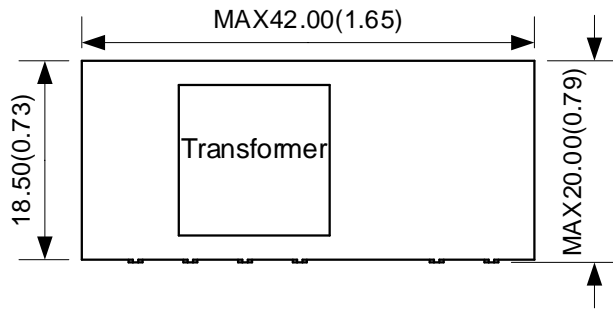


Pin Out Specifications

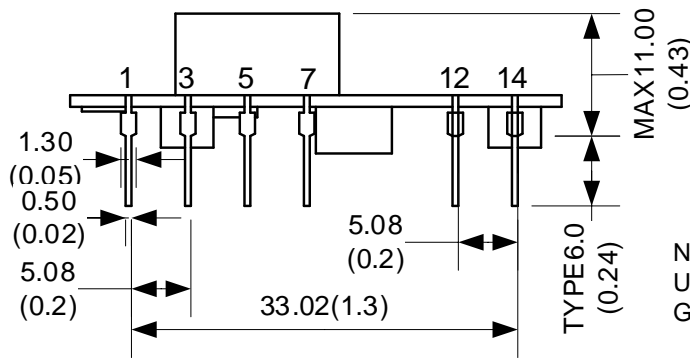
Pin	Single
1	ACN
3	ACL
5	+V (cap)
7	-V (cap)
12	-V Output
14	+V Output

Note:
Unit: mm(inch)
General tolerances: $\pm 0.5(\pm 0.02)$

L Model Dimension



Pin Out Specifications	
Pin	Single
1	ACN
3	ACL
5	+V (cap)
7	-V (cap)
12	-V Output
14	+V Output



Note:
Unit: mm(inch)
General tolerances: $\pm 0.5(\pm 0.02)$

NOTE: **1.** Datasheets are updated as needed and as such, specifications are subject to change without notice. Once printed or downloaded, datasheets are no longer controlled by Aimtec; refer to www.aimtec.com for the most current product specifications. **2.** Product labels shown, including safety agency certifications on labels, may vary based on the date manufactured. **3.** Mechanical drawings and specifications are for reference only. **4.** All specifications are measured at an ambient temperature of 25°C, humidity<75%, nominal input voltage and at rated output load unless otherwise specified. **5.** Aimtec may not have conducted destructive testing or chemical analysis on all internal components and chemicals at the time of publishing this document. CAS numbers and other limited information are considered proprietary and may not be available for release. **6.** This product is not designed for use in critical life support systems, equipment used in hazardous environments, nuclear control systems or other such applications which necessitate specific safety and regulatory standards other the ones listed in this datasheet. **7.** Warranty is in accordance with Aimtec's standard Terms of Sale available at www.aimtec.com.