

Click to  
**ORDER**  
samples

AM1SR-JZ



SIP4 Package

The AM1SR-JZ is a 0.75W SIP4 DC/DC converter that offers great cost savings thanks to an improved manufacturing process. It also features excellent reliability and performance while offering a standard input voltage range of 5-24VDC as well as an output voltage of 3.3-15V. This compact SIP4 design will surely benefit your new system design.

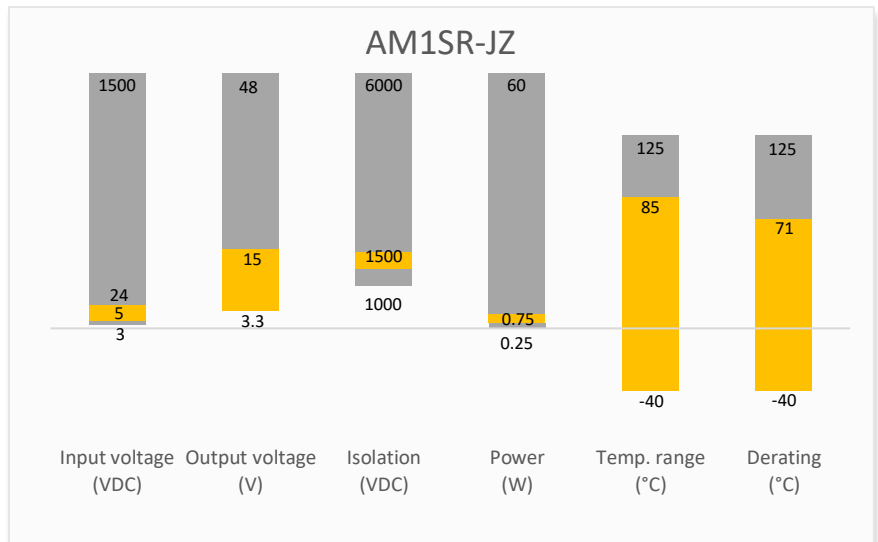
This new series offers great operating temperatures, from -40 to 85°C with full power up to 71°C. Also, an isolation of 1500VDC for improved reliability and system safety as well as a great 3,500,000h MTBF come standard.

The AM1SR-JZ is suitable for instrumentation, industrial controls, communication and IoT applications.

Features

- High I/O Isolation of 1500VDC
- Continuous Short circuit protection
- Operating Temp: -40 °C to +85 °C
- Industry standard SIP4 pin-out
- Efficiency up to 74%
- Regulated output

Summary



Training



Product Training Video  
(click to open)



Press Release

Coming Soon!

Application Notes

Applications



IoT



Industrial



Telecom



Portable Equipment

## Models & Specifications



### Single Output

Model	Input Voltage (VDC)	Output Voltage (VDC)	Input Current Full   No load typ. (mA)	Output Current max   min (mA)*	Isolation (VDC)	Maximum capacitive Load (μF)	Efficiency Typ. (%)
AM1SR-0503SJZ	5 (4.75-5.25)	3.3	209 / 5	200 / 20	1500	2400	68
AM1SR-0505SJZ	5 (4.75-5.25)	5	209 / 5	150 / 15	1500	2400	72
AM1SR-0509SJZ	5 (4.75-5.25)	9	208 / 12	83 / 9	1500	1000	72
AM1SR-0512SJZ	5 (4.75-5.25)	12	208 / 12	62 / 7	1500	560	73
AM1SR-0515SJZ	5 (4.75-5.25)	15	202 / 18	50 / 5	1500	560	74
AM1SR-1203SJZ	12 (11.4-12.6)	3.3	92 / 8	200 / 20	1500	2400	68
AM1SR-1205SJZ	12 (11.4-12.6)	5	87 / 8	150 / 15	1500	2400	72
AM1SR-1212SJZ	12 (11.4-12.6)	12	86 / 8	62 / 7	1500	560	73
AM1SR-1215SJZ	12 (11.4-12.6)	15	85 / 8	50 / 5	1500	560	74
AM1SR-2403SJZ	24 (22.8-25.2)	3.3	46 / 8	200 / 20	1500	2400	68
AM1SR-2405SJZ	24 (22.8-25.2)	5	44 / 8	150 / 15	1500	2400	72
AM1SR-2412SJZ	24 (22.8-25.2)	12	43 / 8	62 / 7	1500	560	73
AM1SR-2415SJZ	24 (22.8-25.2)	15	43 / 8	50 / 5	1500	560	74

\* Performance will be degraded if the load is not within the output current range.

### Input Specification

Parameters	Conditions	Typical	Maximum	Units
Filter	Capacitor			
Input reflected ripple current	5Vin models	15		mA
	Other models	30		mA

### Isolation Specification

Parameters	Conditions	Typical	Maximum	Units
Tested I/O voltage	60 sec, leakage ≤ 1mA for all models	>1500		VDC
	1 sec, leakage ≤ 1mA for 5Vin models	>3000		VDC
Resistance	500VDC	>1000		MΩ
Capacitance	100kHz/0.1V	20		pF

### Output Specification

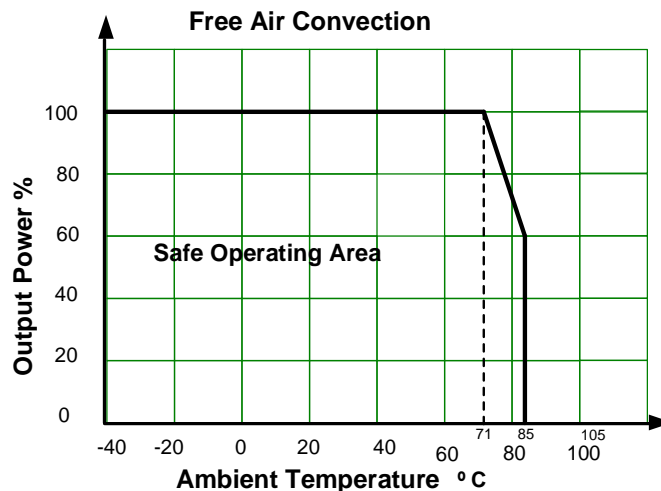
Parameters	Conditions	Typical	Maximum	Units
Voltage accuracy			±3	%
Line regulation	Per 1% Vin change		±0.25	%
Load regulation	10-100% load, 3.3Vout		±3	%
	10-100% load, others		±2	%
Ripple & Noise*	5Vin models	30	75	mV pk-pk
	12/24Vin, 15Vout models	80	150	mV pk-pk
	12/24Vin, other models	30	100	mV pk-pk
Temperature coefficient		±0.02		%/°C

\* Ripple and Noise are measured at 20MHz bandwidth. Please refer to the application note for specific details.

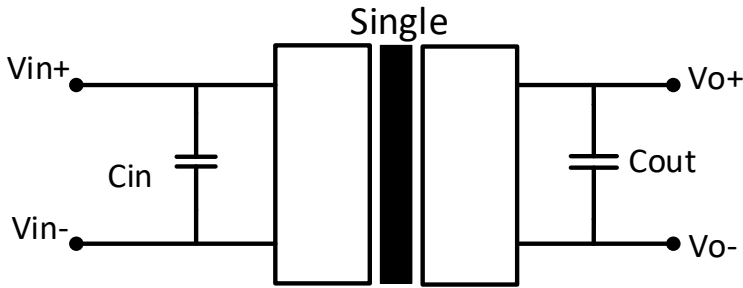
General Specifications				
Parameters	Conditions	Typical	Maximum	Units
Switching frequency	Full load, nominal input, 5Vin models	270		KHz
	Full load, nominal input, other models	260		KHz
Short circuit protection	Continuous, Auto recovery			
Operating temperature	With derating at 71°C	-40 to +85		°C
Storage temperature		-55 to +125		°C
Case temperature rise	Ambient temperature at 25°C, 5Vin, 5/9/12/15Vout models	25		°C
	Ambient temperature at 25°C, other models	30		°C
Manual soldering temperature	1.5mm away from case, duration ≤ 10sec		300	°C
Cooling	Free air convection			
Humidity	Non-condensing	>5	95	% RH
Vibration	10-150Hz, 5G, 30Min, along all axis			
Case material	Black plastic (flammability to UL 94V-0)			
Weight		1.3		g
Dimensions (L x W x H)		0.46 x 0.24 x 0.40 inches (11.60 x 6.00 x 10.16 mm)		
MTBF	3 500 000 hrs (MIL-HDBK -217F, t=+25°C) / Full Load			
NOTE: All specifications in this datasheet are measured at an ambient temperature of 25°C, humidity<75%, nominal input voltage and at rated output load unless otherwise specified.				

Safety Specifications		
Parameters		
Standards	Information technology Equipment	Design to meet EN/UL62368 (5Vin models only)
	EMC - Conducted and radiated emission	CISPR32 / EN55032, class B with the recommended EMI circuit
	Electrostatic Discharge Immunity	IEC 61000-4-2 Air ±8KV, Contact ±6KV, Criteria B for 5Vin models IEC 61000-4-2 Contact ±6KV, Criteria B for 12/24Vin models

## Derating



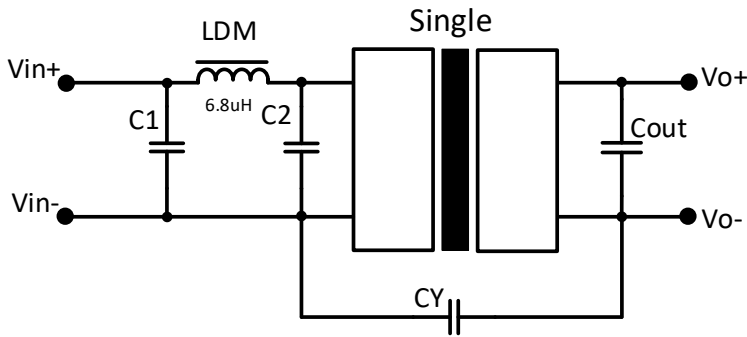
Typical application circuit



Vin	Cin	Single output models	
		Vout	Cout
5V	4.7μF	3.3/5V	10μF/16V
12V	2.2μF/25V	9V	2.2μF
24V	1μF/50V	12V	2.2μF/25V
-	-	15V	1μF/25V

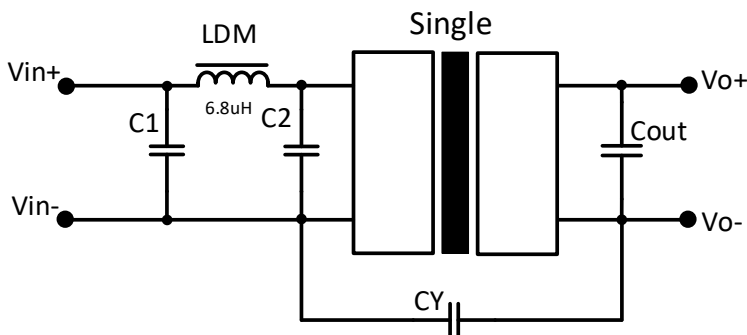
Recommended EMI circuit

5Vin models



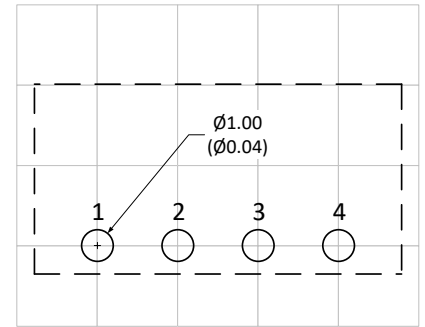
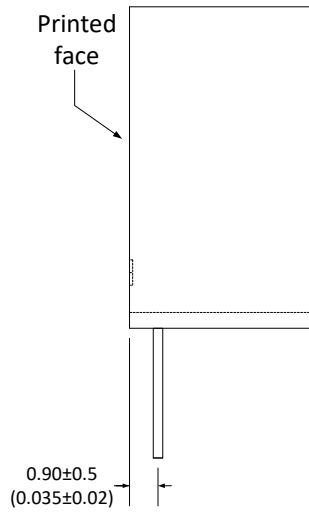
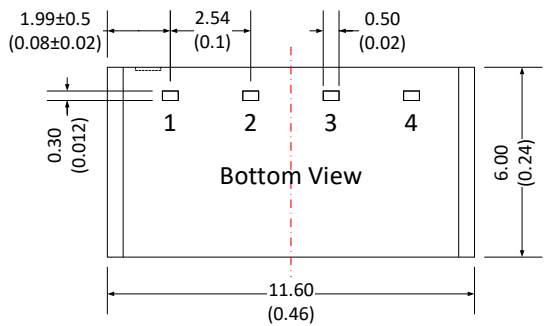
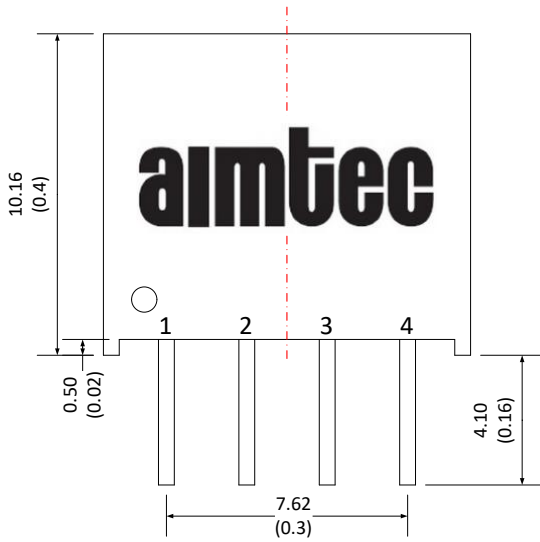
Vout	C1/C2	CY
3.3/5/9V	4.7μF/25V	100pF/4kVdc
12/15V	4.7μF/25V	1nF/4kVdc

12/15/24Vin models



Isolation	C1/C2	CY
1.5KV	4.7μF/50V	270pF/2kVdc

Dimensions



Grid size: 2.54\*2.54mm

Note:

Unit: mm(inch)

General tolerance: ±0.25 (0.01)

Pin tolerance: ±0.1 (0.004)

Pin Out Specifications	
Pin	Single output
1	-V Input
2	+V Input
3	-V Output
4	+V Output

**NOTE:** 1. Datasheets are updated as needed and as such, specifications are subject to change without notice. Once printed or downloaded, datasheets are no longer controlled by Aimtec; refer to [www.aimtec.com](http://www.aimtec.com) for the most current product specifications. 2. Product labels shown, including safety agency certifications on labels, may vary based on the date manufactured. 3. Mechanical drawings and specifications are for reference only. 4. All specifications are measured at an ambient temperature of 25°C, humidity<75%, nominal input voltage and at rated output load unless otherwise specified. 5. Aimtec may not have conducted destructive testing or chemical analysis on all internal components and chemicals at the time of publishing this document. CAS numbers and other limited information are considered proprietary and may not be available for release. 6. This product is not designed for use in critical life support systems, equipment used in hazardous environments, nuclear control systems or other such applications which necessitate specific safety and regulatory standards other the ones listed in this datasheet. 7. Warranty is in accordance with Aimtec's standard Terms of Sale available at [www.aimtec.com](http://www.aimtec.com).