

**FEATURES:**

- I/O Isolation 3000VAC
- Operating Temp: -40 °C to +80 °C
- Input: 90-305VAC, 47-440Hz, or 130-430VDC
- Over Load, Over Voltage, Short Circuit Protection
- RoHS Compliant
- Energy Star Compliant
- Efficiency up to 83%
- Soft Start

**Models**  
Single output



Model	Input Voltage (VAC/Hz)	Input Voltage (VDC)	Temperature range (°C)	Output Voltage (V)	Output Current max (A)	Maximum capacitive Load (µF)	Efficiency (%)		
							115 VAC	230 VAC	277 VAC
AMEL10-3.3SAZ	90-305/47-440	130-430	-40 to +80	3.3	3.00	2200	69	70	70
AMEL10-5SAZ	90-305/47-440	130-430	-40 to +80	5	2.00	1000	73	74	74
AMEL10-12SAZ	90-305/47-440	130-430	-40 to +80	12	0.84	680	79	80	81
AMEL10-15SAZ	90-305/47-440	130-430	-40 to +80	15	0.67	470	79	80	80
AMEL10-24SAZ	90-305/47-440	130-430	-40 to +80	24	0.42	470	78	79	79

Note: Optional mounting plate version can be ordered by adding “-ST” suffix to part number (ex. AMEL10-5SAZ-ST)

**Input Specifications**

Parameters	Conditions	Typical	Maximum	Units
Current (full load)	115 VAC		230	mA
	230 VAC		150	mA
	277 VAC		140	mA
Inrush current <2ms (cold start)	115 VAC		20	A
	230 VAC		35	A
	277 VAC		50	A
Leakage current			0.25	mA
External fuse	Recommended slow blow type	1		A
Input dissipation	(110/230/277 VAC)	≤0.2		W
Start-up time		50		ms

**Output Specifications**

Parameters	Conditions	Typical	Maximum	Units
Voltage accuracy		±2		%
Line regulation		±1		%
Load regulation	0-100% load	±2		%
Transient recovery time		500		µs
Transient response deviation	25% load step	±2		% of Vout
Ripple & Noise*	3.3/5V models	75		mV p-p
	12/15V models	100		mV p-p
	24V models	150		mV p-p
Hold-up time		15		ms

\* Ripple and Noise are measured at 20MHz bandwidth & 230VAC by using a 0.1µF (M/C) and 47µF (E/C) parallel capacitor.

**Isolation Specifications**

Parameters	Conditions	Typical	Rated	Units
Tested I/O voltage	60 sec		3000	VAC
Isolation Resistance		>1000		MΩ

**General Specifications**

Parameters	Conditions	Typical	Maximum	Units
Switching frequency		66		KHz
Over load protection	Foldback	130		%
Over voltage protection		Zener Diode Clamp		

Short circuit protection	Auto recovery		
Operating temperature	With derating over 60°C	Refer to model application	°C
Storage temperature		-40 to +95	°C
Maximum case temperature		100	°C
Temperature coefficient		±0.02	% / °C
Cooling	Free air convection		
Humidity	Non condensing	20 ~ 95	% RH
Case material	Plastic (flammability to UL 94V-0)		
Weight		70	g
Dimensions (L x W x H)	56.46 x 30.86 x 25.10mm (2.22 x 1.21 x 0.99inches)		
MTBF	> 400 000 hrs (MIL-HDBK -217F, t=+25°C)/ Full Load > 100,000 hrs (MIL-HDBK -217F, t=at highest operating temperature)/Full Load		

NOTE: All specifications in this datasheet are measured at an ambient temperature of 25°C, humidity<75%, nominal input voltage and at rated output load unless otherwise specified.

## Environment Approval

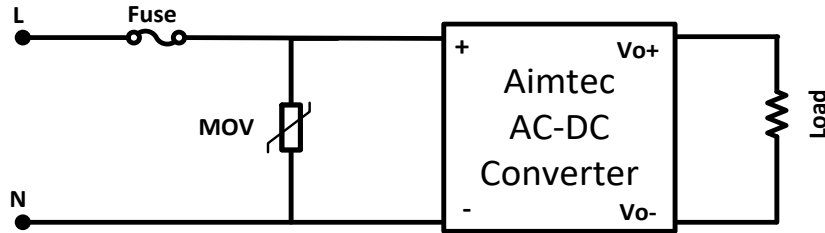
Test	Parameters	Conditions
Shock	Wave form	Half sine wave
	Acceleration amplitude	5gn
	Bump duration	30 ms
	Converter operation	before and after test, body mounted (on chassis)
	Number of bumps	18 (3 in each direction for every axis)
Vibration	Test mode	Sweep sine
	Displacement	1mm
	Acceleration	3g
	Converter operation	10-100Hz, speed 0.05Hz/s

## Safety Specifications

Parameters		
Agency approvals	cULus, CE, CB	
Standards	Information technology Equipment	EN 60950-1:2006+A11:2009
	EMI - Conducted and radiated emission	EN55022, class B
	Harmonic Current Emissions	IEC/EN 61000-3-2, Class A
	Voltage fluctuations and flicker	IEC/EN 61000-3-3, (EN60555-3)
	Electrostatic Discharge Immunity	IEC 61000-4-2, Contact ±4KV/Air ±8KV, Criteria A
	RF, Electromagnetic Field Immunity	IEC 61000-4-3, 3V/m, Criteria A
	Electrical Fast Transient/Burst Immunity	IEC 61000-4-4, ±1KV, Criteria A
	Surge Immunity	IEC 61000-4-5, ±1KV, Criteria A
	RF, Conducted Disturbance Immunity	IEC 61000-4-6, 3Vrms, Criteria A
	Power frequency Magnetic Field Immunity	IEC 61000-4-8, 1A/m, Criteria A
	Voltage dips, Short Interruptions Immunity	IEC 61000-4-11
	Information Technology Equipment	UL 60950-1:2007
	Information Technology Equipment	CAN/CSA-C22.2 No.60950-1-07

### Additional Surge Protective Circuitry

The AMEL10-AZ series design level surge protection is certified to IEC 61000-4-5 surge Line to Line of 1KV. However greater protection can be enhanced by adding protective devices to ingress circuitry. For example, by adding an MOV (Metal Oxide Varistor) device example S14K320E2 to the N / L input lines 2KV surge protection or greater, can be achieved.

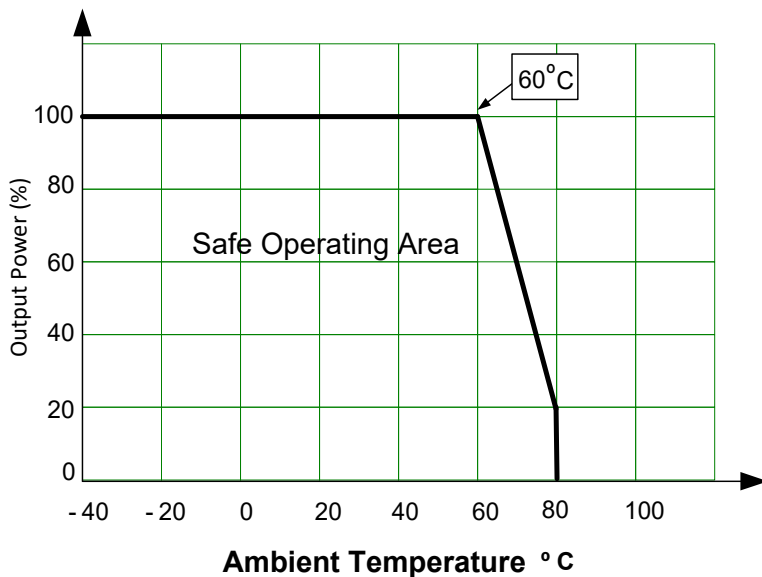


MOV PN	Vrms V	Vdc V	Wmax (2ms) J	Pmax W
S14K320E2	320	420	136	0.6

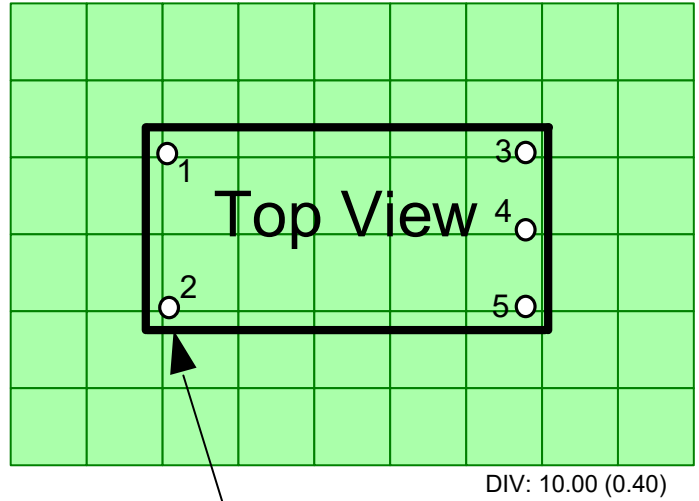
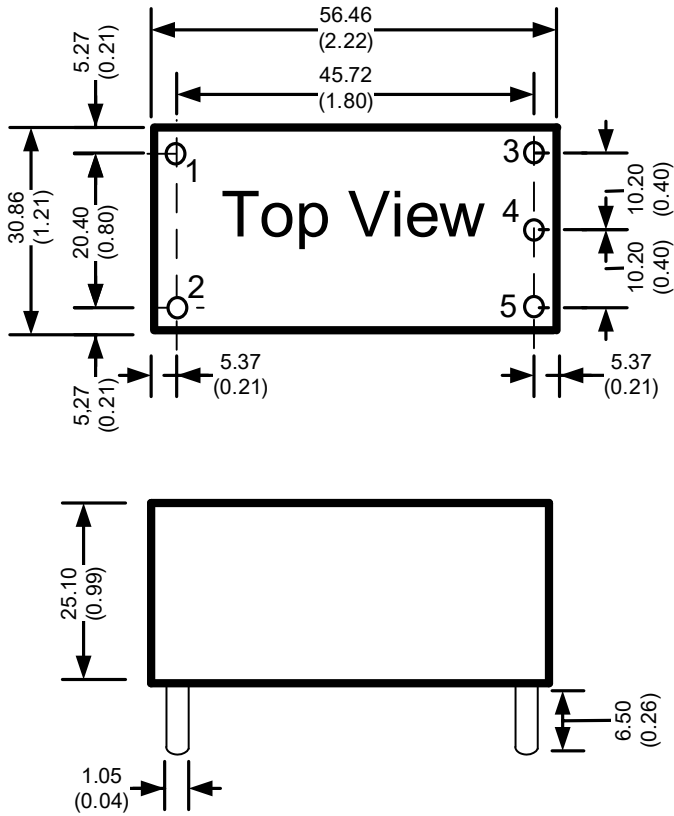
### Pin Out Specifications

Pin	Single
1	AC Input (L)
2	AC Input (N)
3	+V Output
4	-V Output
5	No pin

### Derating



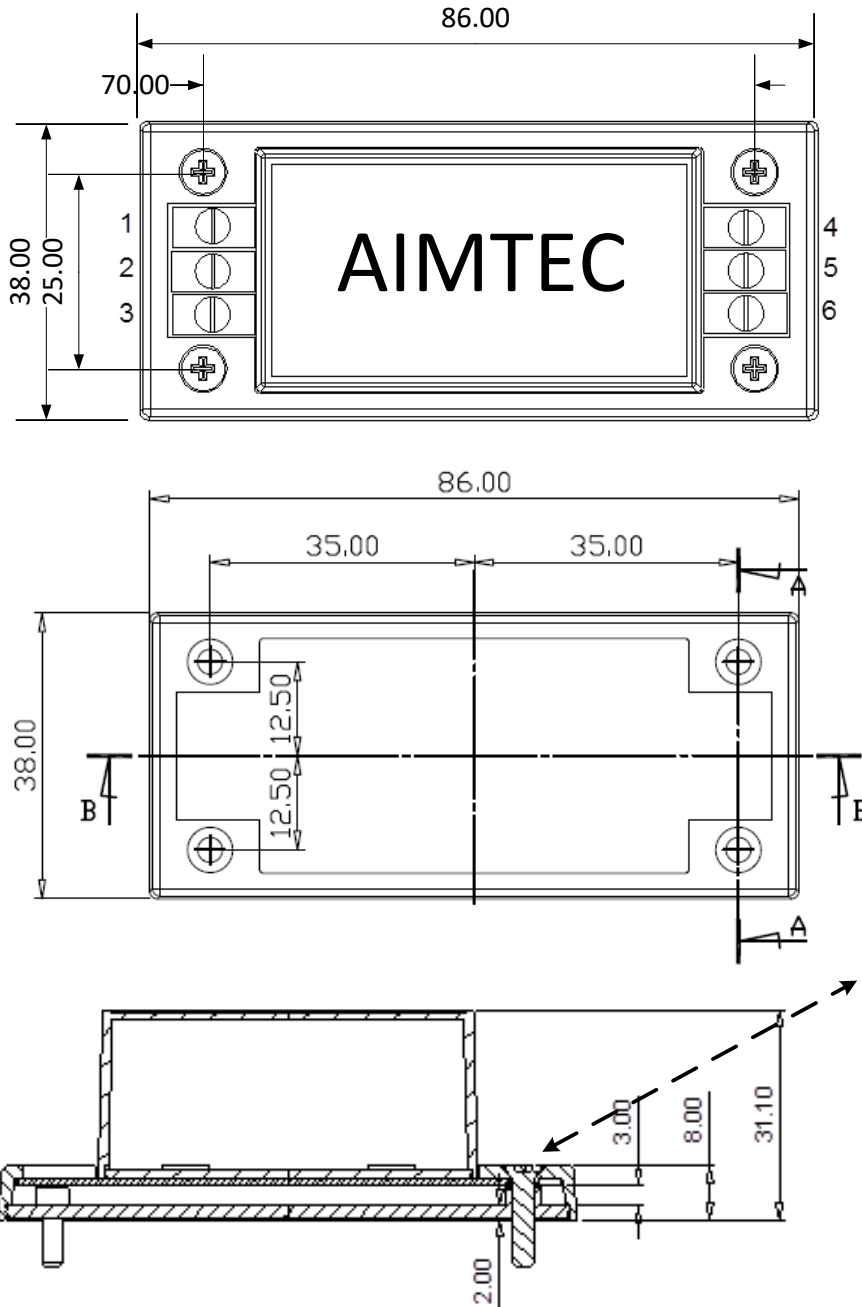
**Dimensions**



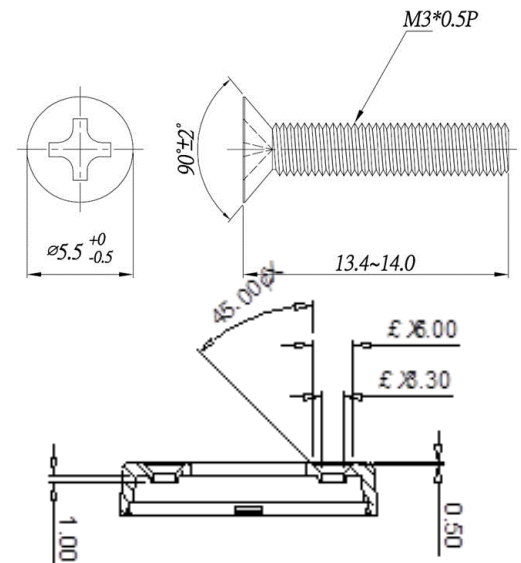
5 $\varnothing$  1.0 ( $\varnothing$  0.04)  
 Dimensions mm (inch)  
 Case Tolerance  $\pm 0.50$  ( $\pm 0.02$ )  
 Pin Diameter  $1.0 \pm 0.05$  ( $0.04 \pm 0.002$ )  
 Pin Pitch Tolerance  $\pm 1.0$  ( $\pm 0.04$ )

**Dimensions of Optional ST Mounting Plate Version**

**Pin Out Specification ST Version**



Pin	Single
1	AC Input (N)
2	No pin
3	AC Input (L)
4	+V Output
5	Common
6	No pin



**NOTE:** 1. Datasheets are updated as needed and as such, specifications are subject to change without notice. Once printed or downloaded, datasheets are no longer controlled by Aimtec; refer to [www.aimtec.com](http://www.aimtec.com) for the most current product specifications. 2. Product labels shown, including safety agency certifications on labels, may vary based on the date manufactured. 3. Mechanical drawings and specifications are for reference only. 4. All specifications are measured at an ambient temperature of 25°C, humidity<75%, nominal input voltage and at rated output load unless otherwise specified. 5. Aimtec may not have conducted destructive testing or chemical analysis on all internal components and chemicals at the time of publishing this document. CAS numbers and other limited information are considered proprietary and may not be available for release. 6. This product is not designed for use in critical life support systems, equipment used in hazardous environments, nuclear control systems or other such applications which necessitate specific safety and regulatory standards other the ones listed in this datasheet. 7. Warranty is in accordance with Aimtec's standard Terms of Sale available at [www.aimtec.com](http://www.aimtec.com).