



FEATURES:

- Efficiency up to 90%
- Wide 2:1 Input range
- No-load consumption $\leq 0.15W$
- Over Current protection
- Continuous Short Circuit protection
- On/Off Remote Control
- Over Voltage Protection
- I/O Isolation 1500VDC
- Operating Temperature: $-40^{\circ}C$ to $+85^{\circ}C$
- Output Voltage adjustment



Models Single output

Model	Input Voltage (V)	Max Input Current Full/No load (mA)	Output Voltage (V)	Output Current max (A)	Isolation (VDC)	Max Capacitive Load (μF)	Efficiency Typ. (%)
AM20E-12110S-NZ	9-18	1938	110	0.18	1500	66	88
AM20E-2403S-NZ	18-36	818/45	3.3	5	1500	10000	86
AM20E-2405S-NZ	18-36	993/45	5	4	1500	10000	90
AM20E-2409S-NZ	18-36	969/10	9	2.22	1500	4700	87
AM20E-2412S-NZ	18-36	969/10	12	1.66	1500	1600	87
AM20E-2415S-NZ	18-36	969/10	15	1.33	1500	1000	88
AM20E-2424S-NZ	18-36	969/10	24	0.83	1500	500	88
AM20E-4803S-NZ	36-75	409/25	3.3	5	1500	10000	86
AM20E-4805S-NZ	36-75	497/25	5	4	1500	10000	90
AM20E-4809S-NZ	36-75	485/9	9	2.22	1500	4700	89
AM20E-4812S-NZ	36-75	485/9	12	1.66	1500	1600	89
AM20E-4815S-NZ	36-75	485/9	15	1.33	1500	1000	90
AM20E-4824S-NZ	36-75	485/9	24	0.83	1500	500	90

Models Dual output

Model	Input Voltage (V)	Max Input Current Full/No load (mA)	Output Voltage (V)	Output Current max (A)	Isolation (VDC)	Max Capacitive Load (μF)	Efficiency Typ. (%)
AM20E-1215D-NZ	9-18	1960/20	± 15	± 0.66	1500	± 625	87
AM20E-1224D-NZ	9-18	1938/25	± 24	± 0.41	1500	± 220	88
AM20E-2405D-NZ	18-36	993/45	± 5	± 2	1500	± 4800	84
AM20E-2409D-NZ	18-36	969/10	± 9	± 1.11	1500	± 1000	86
AM20E-2412D-NZ	18-36	969/10	± 12	± 0.83	1500	± 800	86
AM20E-2415D-NZ	18-36	969/10	± 15	± 0.66	1500	± 625	86
AM20E-2424D-NZ	18-36	969/10	± 24	± 0.41	1500	± 500	86
AM20E-4805D-NZ	36-75	497/25	± 5	± 2	1500	± 4800	86
AM20E-4812D-NZ	36-75	485/9	± 12	± 0.83	1500	± 800	88
AM20E-4815D-NZ	36-75	485/9	± 15	± 0.66	1500	± 625	89

***Add suffix "-ST" for optional screw terminal bottom plate or "-STD" for optional DIN Rail screw terminal bottom plate (It is limited to models AM20E-4805S-NZ-ST, AM20E-4812S-NZ-STD and AM20E-4824S-NZ-STD).**

****Add suffix "-K" for optional heatsink, "-K-ST" for optional heatsink and screw terminal bottom plate or "-K-STD" for optional heatsink and DIN Rail screw terminal bottom plate (It is limited to models AM20E-4812D-NZ-K, AM20E-4824S-NZ-K and AM20E-2405S-NZ-K).**

***** All the suffix options will be discontinued (EOL) by December 30, 2020; For new designs, please refer to AM20EW-NZ series.**

****** Due to the reverse polarity protection, models with -ST or -STD options will have their efficiency decreased by 2%.**

NOTE: All specifications in this datasheet are measured at an ambient temperature of $25^{\circ}C$, humidity $< 75\%$, nominal input voltage and at rated output load unless otherwise specified.

Input Specifications

Parameters	Nominal	Typical	Maximum	Units
Voltage range	12	9-18	20	VDC
	24	18-36	40	
	48	36-75	80	
Filter	π (Pi) Network			
Startup time		10		ms
Absolute Maximum Rating	12		-0.7-25	VDC
	24		-0.7-50	
	48		-0.7-100	
Peak Input Voltage time			1	s
On/Off control	ON – open or 3.5-12VDC; OFF – short to -Vin or 0-1.2VDC			
Input current when off	AM20E-12110S-NZ	5		mA
	others	4	7	
Input reflected current	AM20E-12110S-NZ	20		mA
	others	30		
Start-up voltage	12		9	VDC
	24		18	
	48		36	

Isolation Specifications

Parameters	Conditions	Typical	Maximum	Units
Tested I/O voltage	60 sec, 1mA	1500		VDC
Resistance	500VDC Isolation	>1000		MOhm
Capacitance	100KHz/0.1V, AM20E-12110S-NZ	2000		pF
	100KHz/0.1V, AM20E-2424S-NZ	2050		
	100KHz/0.1V, Others	1050		

Output Specifications

Parameters	Conditions	Typical	Maximum	Units
Voltage accuracy*	AM20E-1224D-NZ negative	± 2	± 4	%
	5% to 100% load	± 1	± 3	
Cross regulation	50% 1 st load, 10-100% 2 nd load		± 5	%
Line voltage regulation (single)	Full load, LL-HL	± 0.2	± 0.5	% of Vin
Line voltage regulation (dual)	Full load, LL-HL	± 0.5	± 1	% of Vin
Load voltage regulation (+Vout)**	5% to 100% load	± 0.5	± 1	%
Load voltage regulation (-Vout)**	5% to 100% load, 12Vin/15 and 24Vout	± 1	± 1.5	%
	5% to 100% load, others	± 0.5	± 1.5	
Over voltage protection****		≥ 110	160	% of Vo
Over current protection	AM20E-12110S-NZ	130		% of Io
	others	≥ 110	190	
Short Circuit protection	Continuous, hiccup, auto-recovery			
Temperature coefficient			± 0.03	%/°C
Ripple & Noise***	5% to 100% load, AM20E-12110S-NZ		250	mV p-p
	5% to 100% load, others	50	100	
Voltage adjustment range	24/48Vin		± 10	%
Transient recovery time	25% load step change	300	500	μ S
Transient recovery deviation	25% load step change: 3.3, 5, ± 5 Vout	± 5	± 8	%
	25% load step change: others	± 3	± 5	
Voltage adjustment	24/48Vin		± 10	% of Vo

* Voltage accuracy for ± 5 V and ± 9 V at 0% to 5% load is ± 5 % max.

** Load regulation at 0% to 5% load is ± 5 %.

*** Measured at 20MHz bandwidth. Ripple & Noise when load <5% is 5% of Vo.

**** AM20E-12110S-NZ does not have over voltage protection.

General Specifications

Parameters	Conditions	Typical	Maximum	Units
Switching frequency	AM20E-12110S-NZ 100% load	300 270		KHz
Operating temperature	See derating curve	-40 to +85		°C
Storage temperature		-55 to +125		°C
Maximum case temperature	AM20E-12110S-NZ		105	°C
Cooling	Free air convection			
Humidity			95	% RH
Case material	Aluminum alloy			
Dimensions (L x W x H)	Pin mountable	2.00 x 1.00 x 0.46inches (50.80 x 25.40 x 11.80mm)		
	With optional -ST mounting plate	2.99 x 1.24 x 0.84inches (76.00 x 31.50 x 21.20mm)		
	With optional -STD mounting plate	2.99 x 1.24 x 1.02inches (76.00 x 31.50 x 25.80mm)		
	With optional -K Pin mountable	2.02 x 1.03 x 0.65inches (51.40 x 26.20 x 16.50mm)		
	With optional -ST-K mounting plate	2.99 x 1.24 x 1.00inches (76.00 x 31.50 x 25.30mm)		
	With optional -STD-K mounting plate	2.99 x 1.24 x 1.18inches (76.00 x 31.50 x 29.90mm)		
Weight	Pin mountable	26		g
	With optional -ST mounting plate	48		
	With optional -STD mounting plate	68		
	With optional -K Pin mountable	34		
	With optional -ST-K mounting plate	56		
	With optional -STD-K mounting plate	76		
MTBF	>1,000,000 hours (MIL-HDBK -217F, Ground Benign, t ₊ =+25°C)			
Manual soldering temperature	1.5mm from case for 10 sec		300	°C

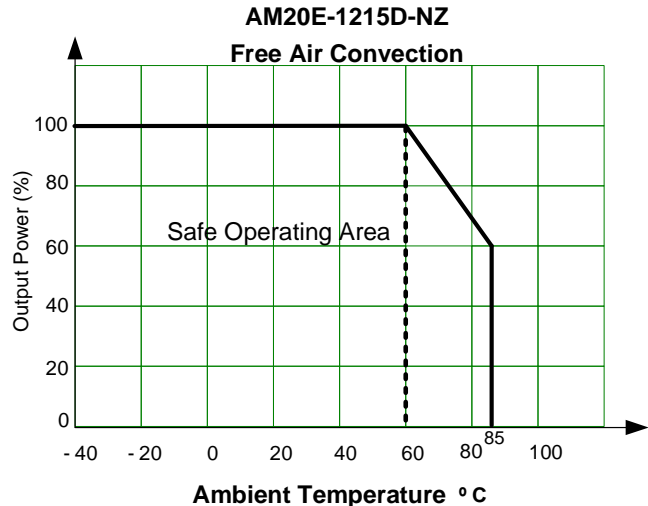
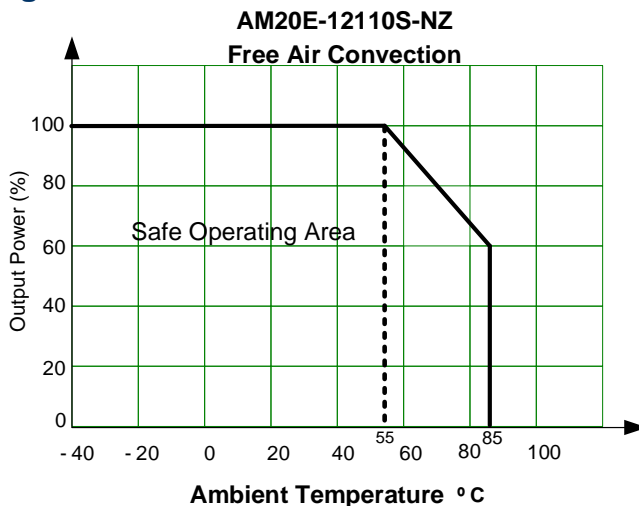
Environment Specification

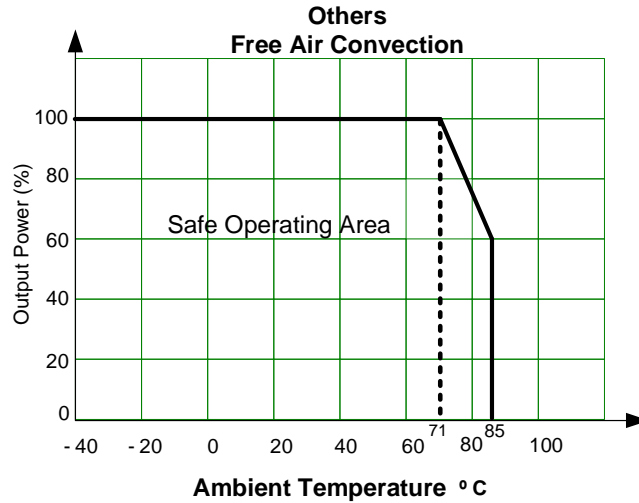
Test	Parameters	Conditions
Vibration	Test mode	10-150Hz
	Acceleration	5g, 90min, every axis tested

Safety Specifications

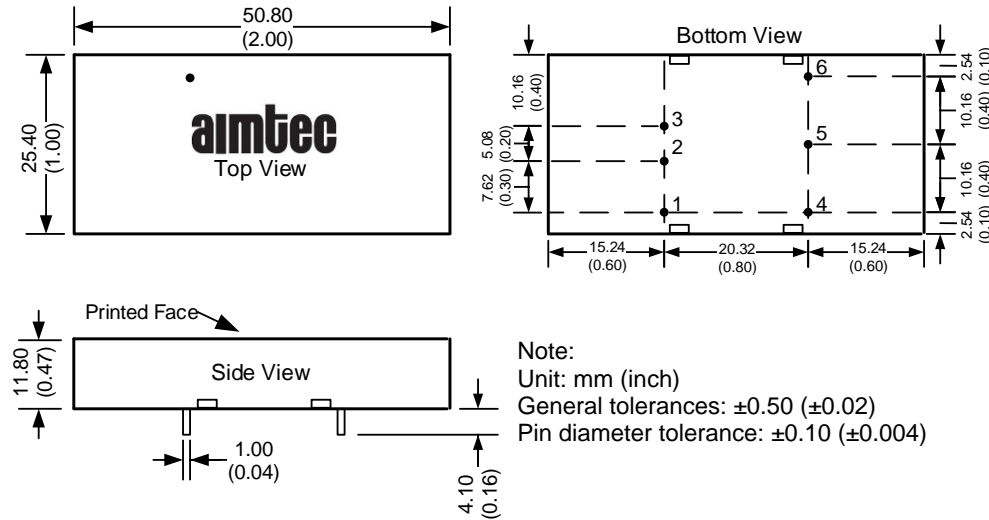
Parameters		
Standards	Design to meet EN60950 (except 12Vin models and AM20E-2424D-NZ)	
	CISPR32/EN55032, Class A, with no external components; Class B with recommended EMC circuit part A (AM20E-12110S-NZ does not comply with CISPR32/EN55032 radiate emission standard)	
	Electrostatic Discharge Immunity	IEC 61000-4-2, Contact ±4KV, Criteria B
	RF, Electromagnetic Field Immunity	IEC 61000-4-3, 10V/m, Criteria A
	Electrical Fast Transient / Burst Immunity	IEC 61000-4-4, ±2KV with recommended EMC circuit part B, Criteria B
	Surge Immunity	IEC 61000-4-5, L-L ±2KV with recommended EMC circuit part B, Criteria B
	RF, Conducted Disturbance Immunity	IEC 61000-4-6, 3 Vrms, Criteria A
	Voltage dips, Short Interruptions & Voltage variations Immunity	IEC 61000-4-29, 0-70%, Criteria B

Derating





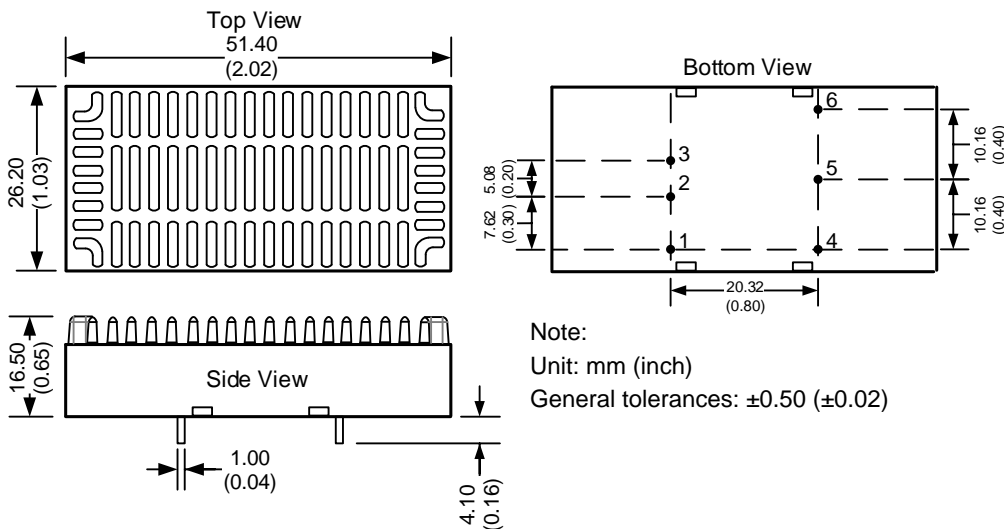
Dimensions metal case



Pin Out Specifications

Pin	Single	Dual
1	On/Off Control	On/Off Control
2	-Vin	-Vin
3	+Vin	+Vin
4	-Vout	-Vout
5	Trim	Common
6	+Vout	+Vout

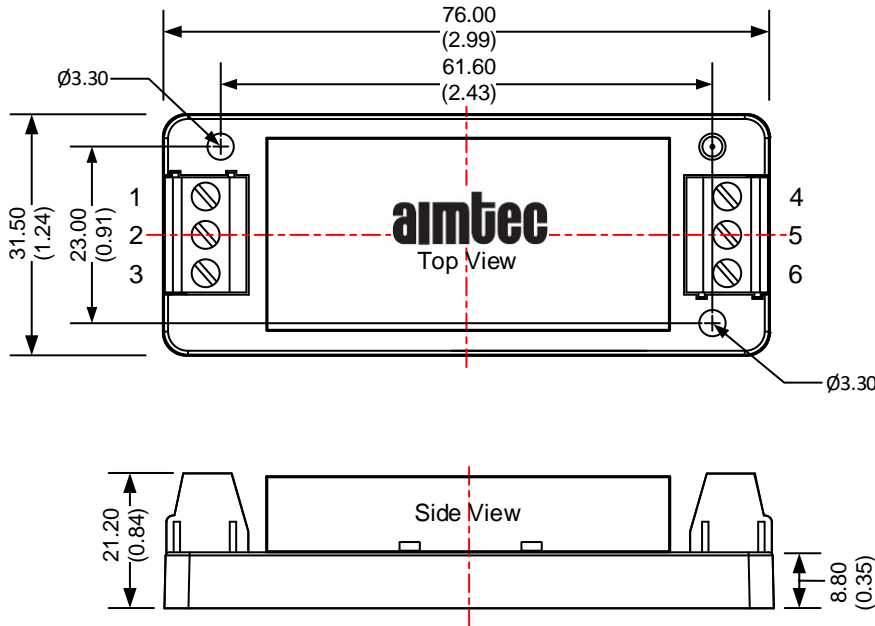
Heatsink Option: AM20E-NZ-K



Screw Terminal Option: AM20E-NZ-ST

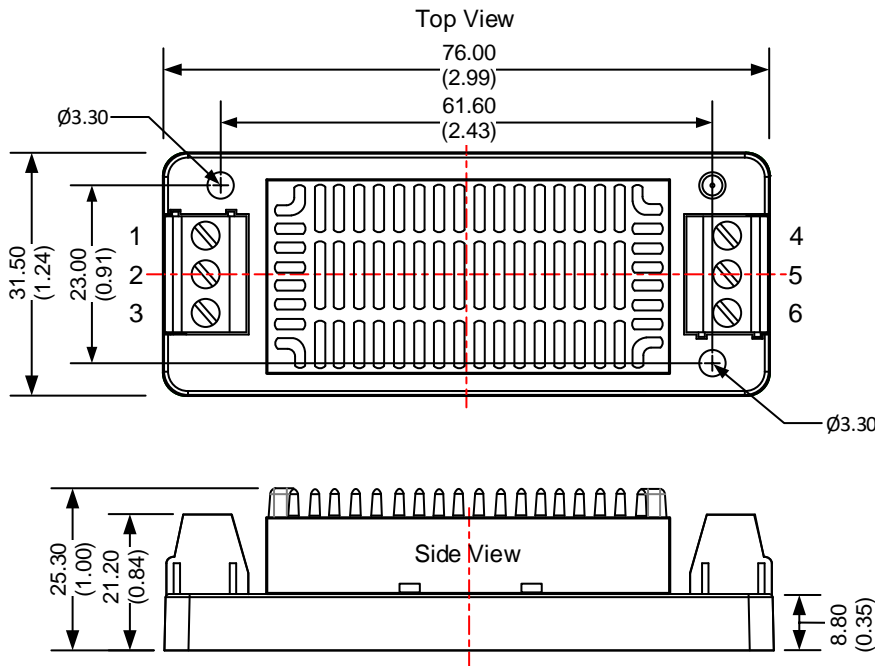
Pin Out Specifications

Pin	Single	Dual
1	On/Off Control	On/Off Control
2	-Vin	-Vin
3	+Vin	+Vin
4	- Vout	- Vout
5	Trim	Trim
6	+ Vout	+ Vout



Note:
 Unit: mm (inch)
 Wire range: 24-12 AWG
 Tightening torque: Max 0.4 N*m
 General tolerances: ± 0.50 (± 0.02)

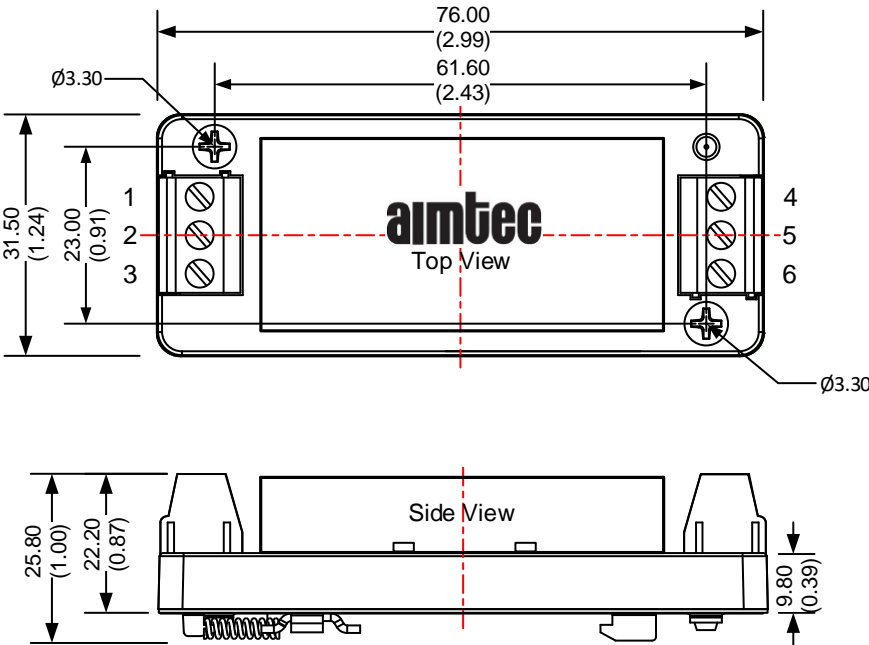
Screw Terminal with Heatsink Option: AM20E-NZ-K-ST



Note:
 Unit: mm (inch)
 Wire range: 24-12 AWG
 Tightening torque: Max 0.4 N*m
 General tolerances: ± 0.50 (± 0.02)

DIN-RAIL Option: AM20E-NZ-K-STD

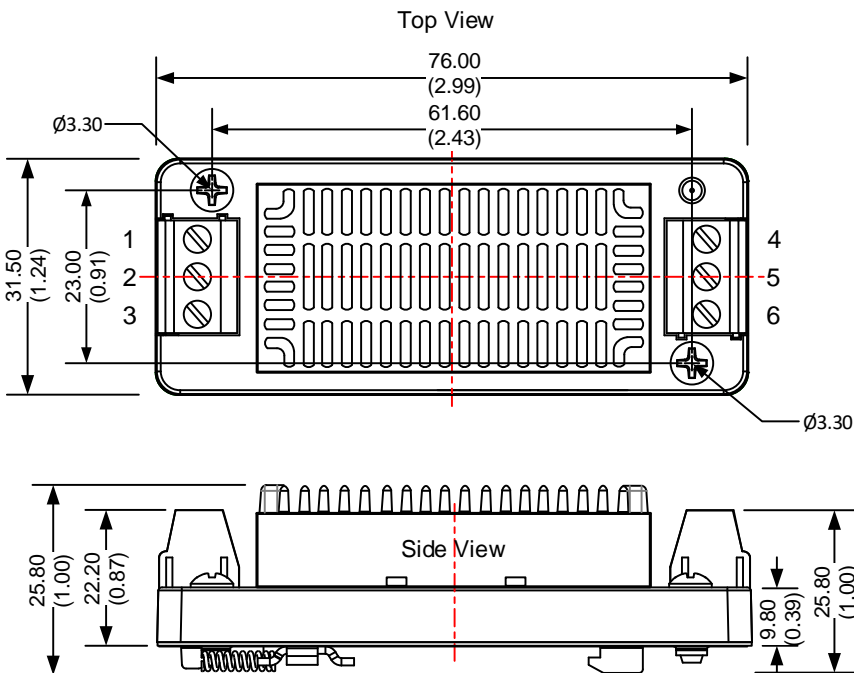
Pin Out Specifications



Pin	Single	Dual
1	On/Off Control	On/Off Control
2	-Vin	-Vin
3	+Vin	+Vin
4	- Vout	- Vout
5	Trim	Trim
6	+ Vout	+ Vout

Note:
Unit: mm (inch)
Mounting rail: TS35
Wire range: 24-12 AWG
Tightening torque: Max 0.4 N*m
General tolerances: ± 0.50 (± 0.02)

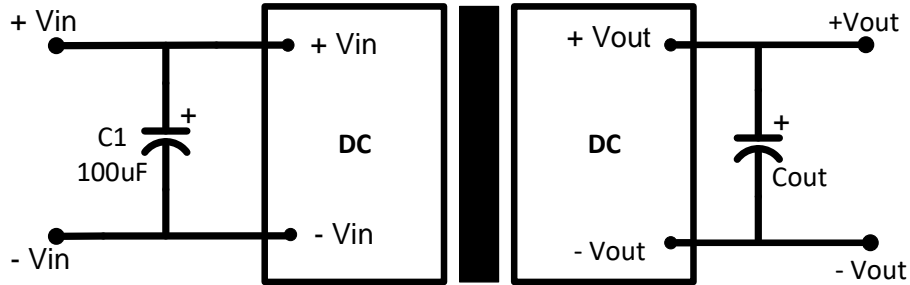
DIN-RAIL with heatsink Option: AM20E-NZ-K-STD



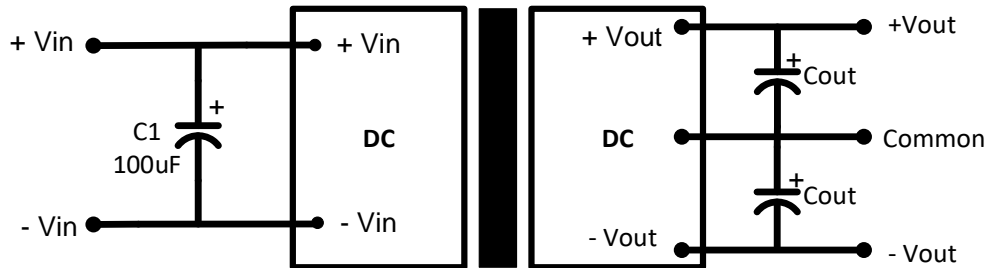
Note:
Unit: mm (inch)
Mounting rail: TS35
Wire range: 24-12 AWG
Tightening torque: Max 0.4 N*m
General tolerances: ± 0.50 (± 0.02)

Typical application circuit

Single output models

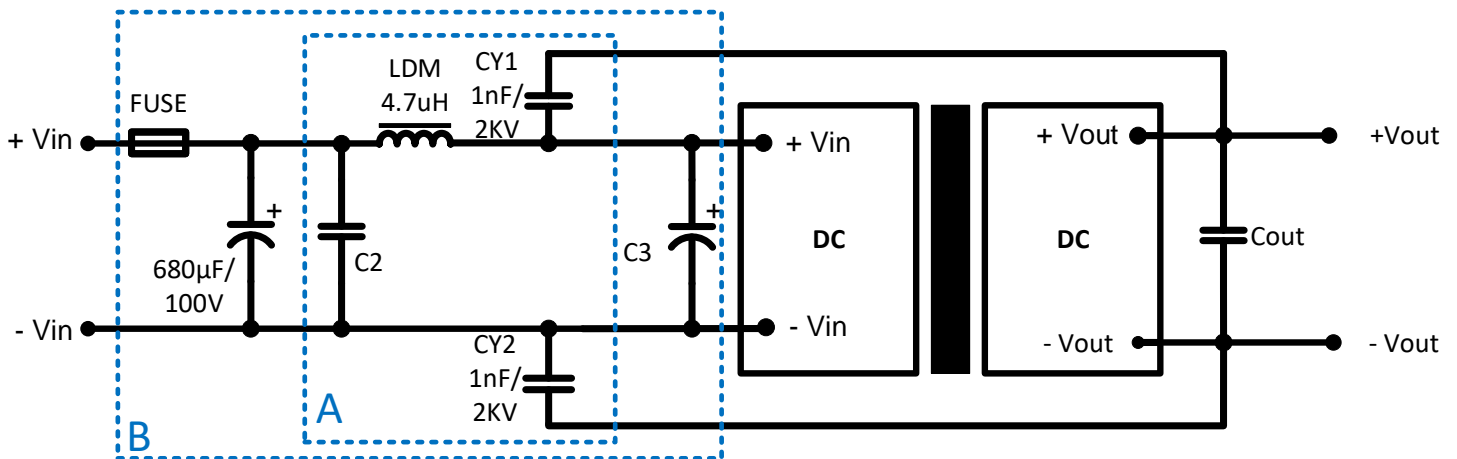


Dual output models



Model	Single output models			Dual output models	
	3.3V/5V Vout	9V/12V/15V Vout	24V Vout	±5V Vout	Others
Cout	470μF	220μF	100μF	220μF	100μF

EMC recommended external filter



Note: Part A for EMI filter, Part B for EMS filter

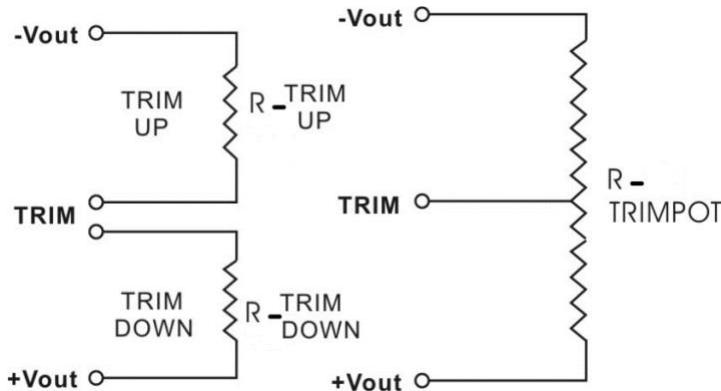
Model	12V/24V Vin	48V Vin
FUSE	Choose based on actual input current	
C2	1μF/50V	1μF/100V
C3	330μF/50V	330μF/100V

Trimming

Output voltage can be externally trimmed by utilizing the methods as shown below

Fixed Resistor

Variable Potentiometer



Leave open if not used.

AM20E-xx03S-NZ

Trim down %	1	2	3	4	5	6	7	8	9	10
Vout (VDC)	3.267	3.234	3.201	3.168	3.135	3.102	3.069	3.036	3.003	2.97
Rt down (KΩ)	193.344	106.818	70.696	50.870	38.341	29.708	23.397	18.583	14.790	11.724
Trim up %	1	2	3	4	5	6	7	8	9	10
Vout (VDC)	3.333	3.366	3.399	3.432	3.465	3.498	3.531	3.564	3.597	3.63
Rt up (KΩ)	305.949	102.749	57.886	38.180	27.104	20.007	15.072	11.442	8.658	6.457

AM20E-xx05S-NZ

Trim down %	1	2	3	4	5	6	7	8	9	10
Vout (VDC)	4.95	4.9	4.85	4.8	4.75	4.7	4.65	4.6	4.55	4.5
Rt down (KΩ)	105.181	52.154	31.997	21.378	14.823	10.373	7.155	4.719	2.811	1.277
Trim up %	1	2	3	4	5	6	7	8	9	10
Vout (VDC)	5.05	5.1	5.15	5.2	5.25	5.3	5.35	5.4	5.45	5.5
Rt up (KΩ)	176.356	71.279	41.974	28.200	20.198	14.967	11.281	8.544	6.430	4.749

AM20E-xx09S-NZ

Trim down %	1	2	3	4	5	6	7	8	9	10
Vout (VDC)	8.91	8.82	8.73	8.64	8.55	8.46	8.37	8.28	8.19	8.1
Rt down (KΩ)	375.533	207.430	139.157	102.145	78.924	62.997	51.393	42.562	35.617	30.011
Trim up %	1	2	3	4	5	6	7	8	9	10
Vout (VDC)	9.09	9.18	9.27	9.36	9.45	9.54	9.63	9.72	9.81	9.9
Rt up (KΩ)	314.532	112.639	64.148	42.357	29.975	21.990	16.412	12.297	9.134	6.629

AM20E-xx12S-NZ

Trim down %	1	2	3	4	5	6	7	8	9	10
Vout (VDC)	11.88	11.76	11.64	11.52	11.4	11.28	11.16	11.04	10.92	10.8
Rt down (KΩ)	496.092	301.452	212.527	161.585	128.573	105.442	88.332	75.164	64.716	56.223
Trim up %	1	2	3	4	5	6	7	8	9	10
Vout (VDC)	12.12	12.24	12.36	12.48	12.6	12.72	12.84	12.96	13.08	13.2
Rt up (KΩ)	706.435	158.920	83.879	54.075	38.077	28.095	21.274	16.317	12.552	9.595

AM20E-xx15S-NZ

Trim down %	1	2	3	4	5	6	7	8	9	10
Vout (VDC)	14.85	14.7	14.55	14.4	14.25	14.1	13.95	13.8	13.65	13.5
Rt down (KΩ)	634.883	400.637	288.514	222.759	179.537	148.960	126.187	108.569	94.532	83.087
Trim up %	1	2	3	4	5	6	7	8	9	10
Vout (VDC)	15.15	15.3	15.45	15.6	15.75	15.9	16.05	16.2	16.35	16.5
Rt up (KΩ)	1460.099	192.574	96.642	61.354	43.016	31.781	24.191	18.721	14.590	11.361

AM20E-xx24S-NZ

Trim down %	1	2	3	4	5	6	7	8	9	10
Vout (VDC)	23.76	23.52	23.28	23.04	22.8	22.56	22.32	22.08	21.84	21.6
Rt down (KΩ)	1286.200	792.123	565.867	436.104	351.954	292.963	249.315	215.714	189.047	167.370
Trim up %	1	2	3	4	5	6	7	8	9	10
Vout (VDC)	24.24	24.48	24.72	24.96	25.2	25.44	25.68	25.92	26.16	26.4
Rt up (KΩ)	816.889	179.914	94.338	60.464	42.307	30.988	23.257	17.640	13.376	10.027

NOTE: 1. Datasheets are updated as needed and as such, specifications are subject to change without notice. Once printed or downloaded, datasheets are no longer controlled by Aimtec; refer to www.aimtec.com for the most current product specifications. 2. Product labels shown, including safety agency certifications on labels, may vary based on the date manufactured. 3. Mechanical drawings and specifications are for reference only. 4. All specifications are measured at an ambient temperature of 25°C, humidity<75%, nominal input voltage and at rated output load unless otherwise specified. 5. Aimtec may not have conducted destructive testing or chemical analysis on all internal components and chemicals at the time of publishing this document. CAS numbers and other limited information are considered proprietary and may not be available for release. 6. This product is not designed for use in critical life support systems, equipment used in hazardous environments, nuclear control systems or other such applications which necessitate specific safety and regulatory standards other the ones listed in this datasheet. 7. Warranty is in accordance with Aimtec's standard Terms of Sale available at www.aimtec.com.